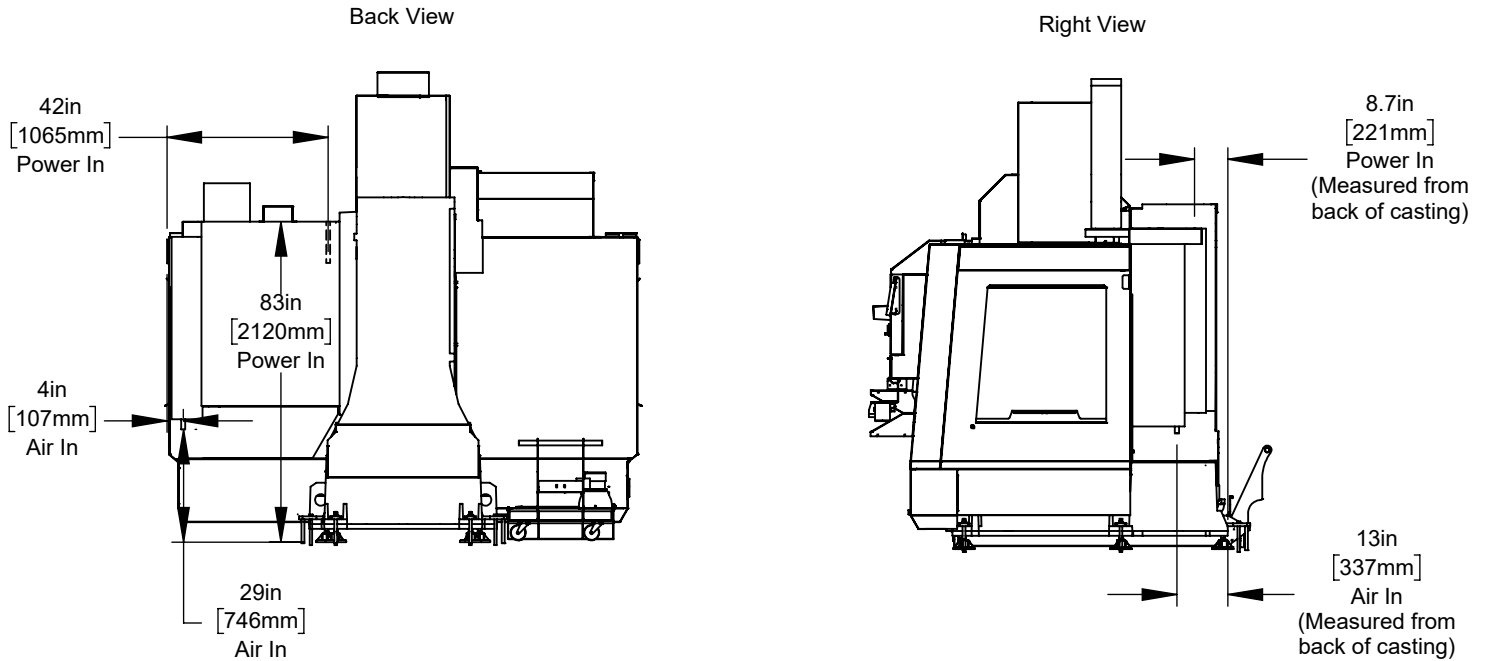


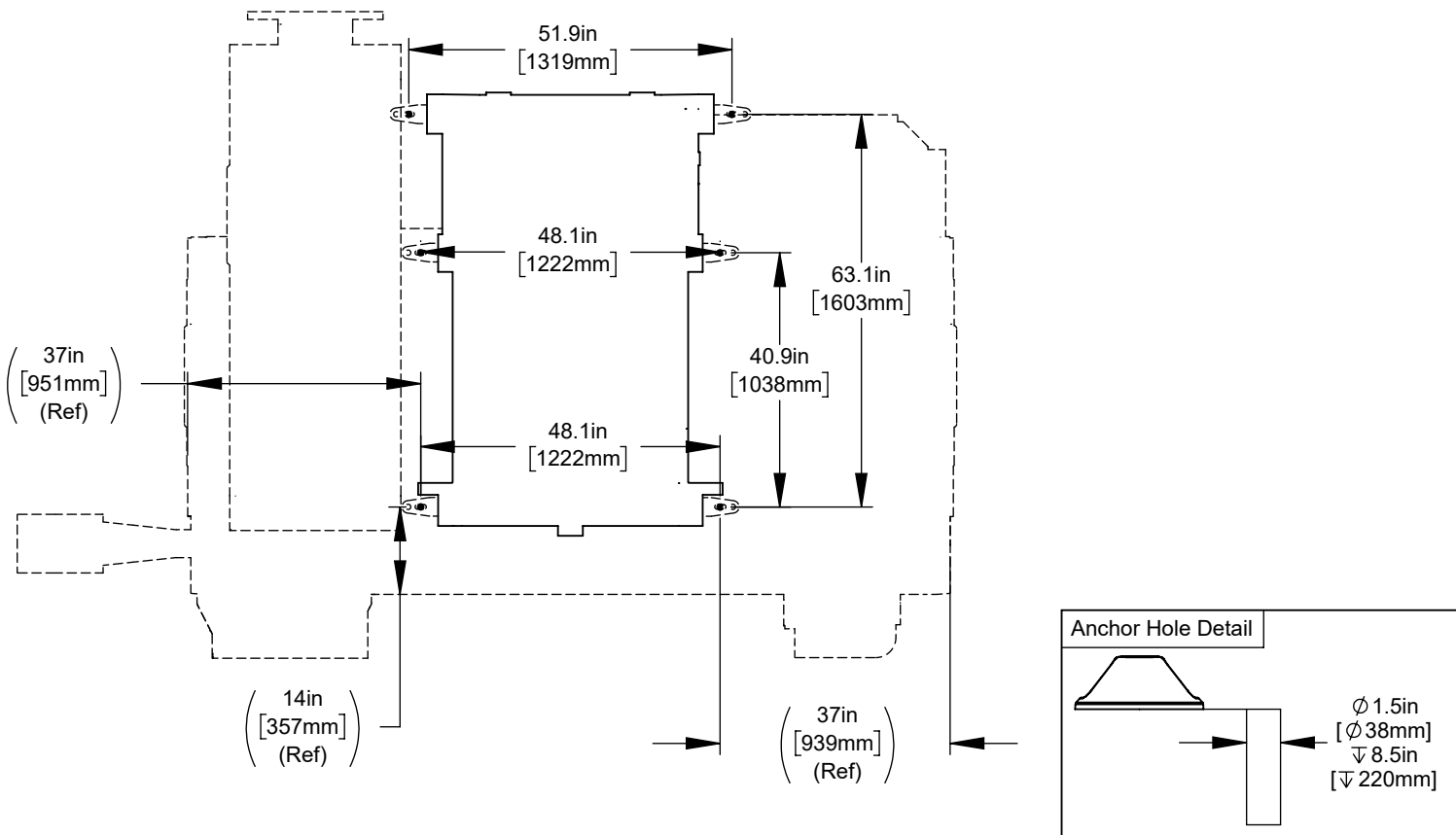
All dimensions based on stackup of sheetmetal, subject to variation of 1/2" ( 13 mm)

Air & Power

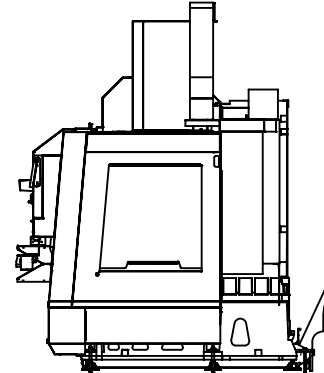
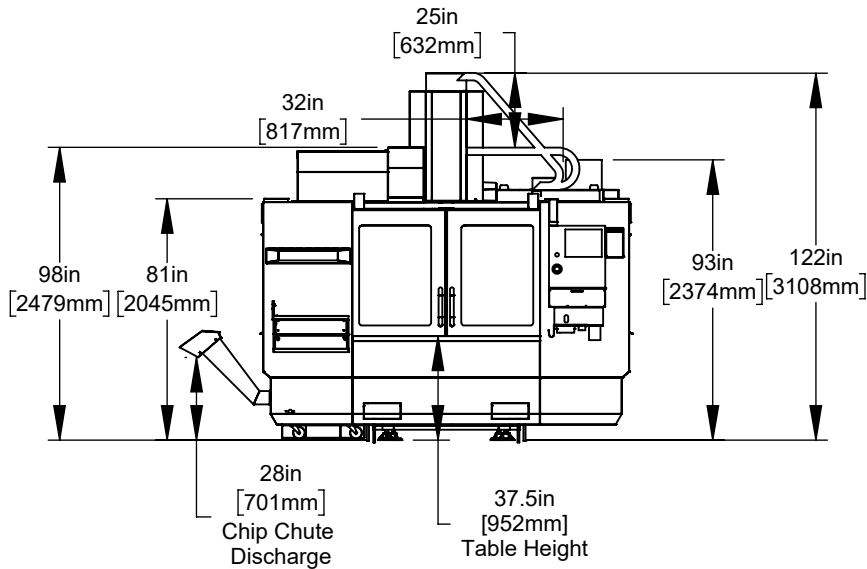


All dimensions based on stackup of sheetmetal, subject to variation of 1/2" ( 13 mm)

Anchor Pattern



Height Breakdown

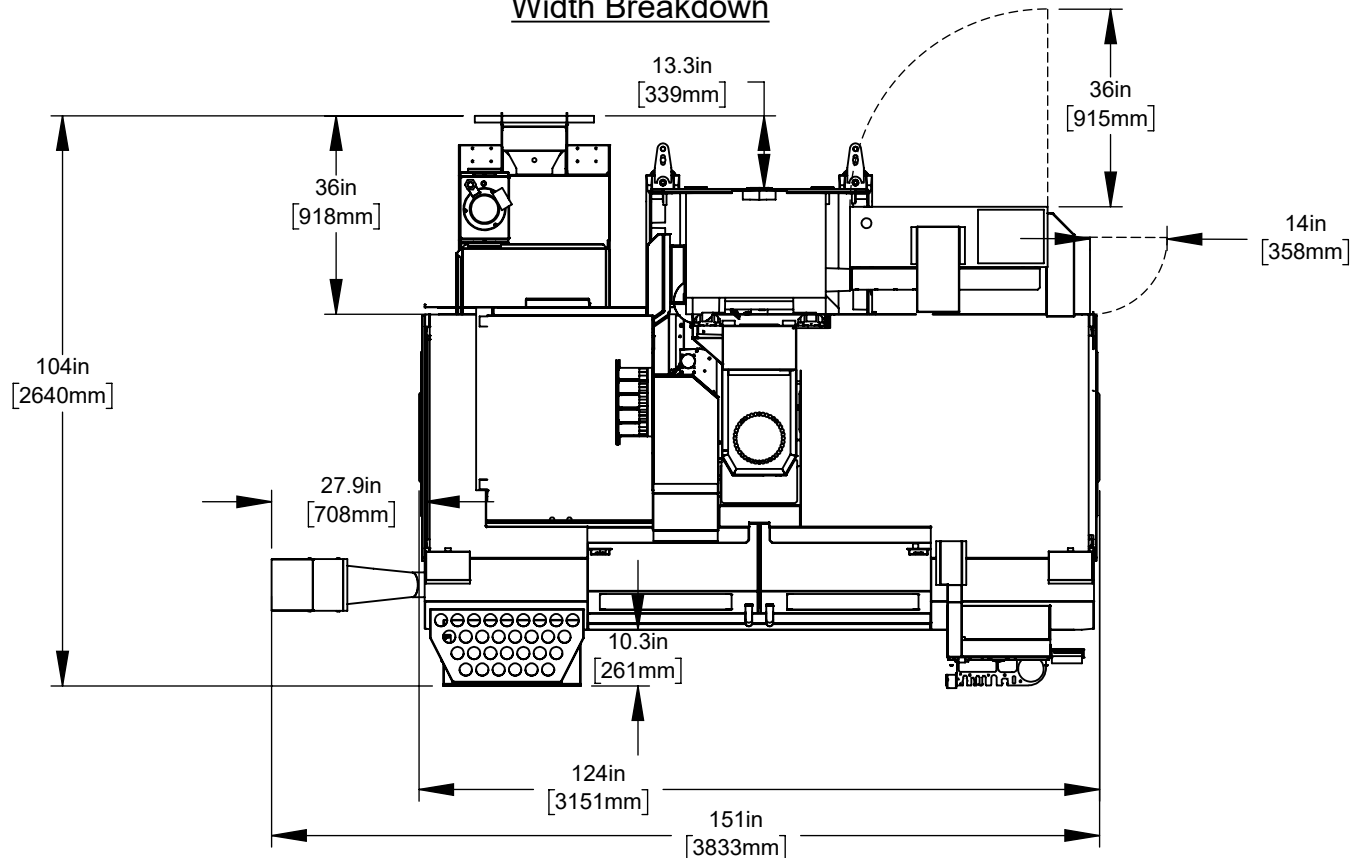


**VF4/SS As Shipped Height**

- 40 Taper 30-SMTC 94.5in [2400mm]
- 40 Taper 50-SMTC Domestic 121.5in [3086mm]
- Export 94.5in [2400mm]

All dimensions based on stackup of sheetmetal, subject to variation of 1/2" ( 13 mm)

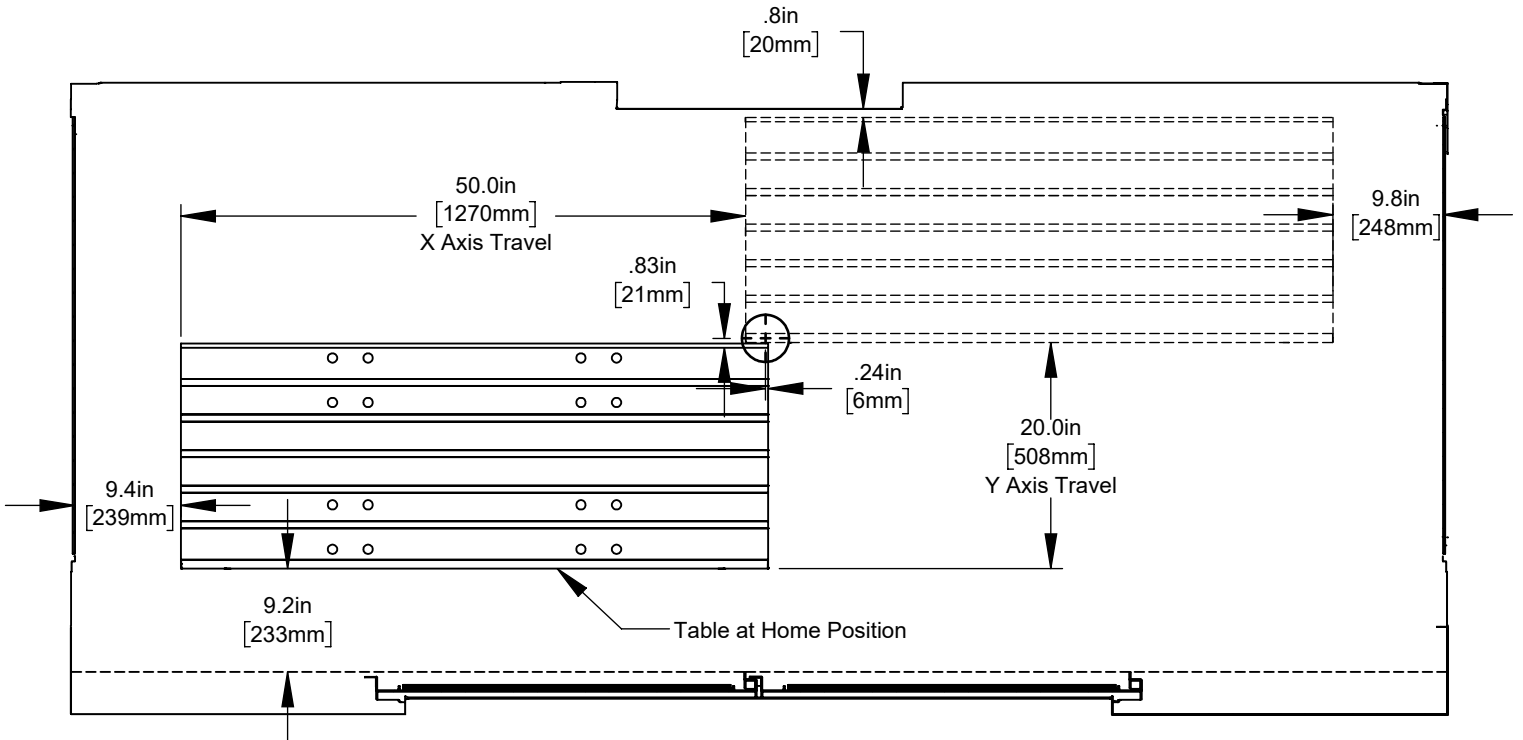
Width Breakdown



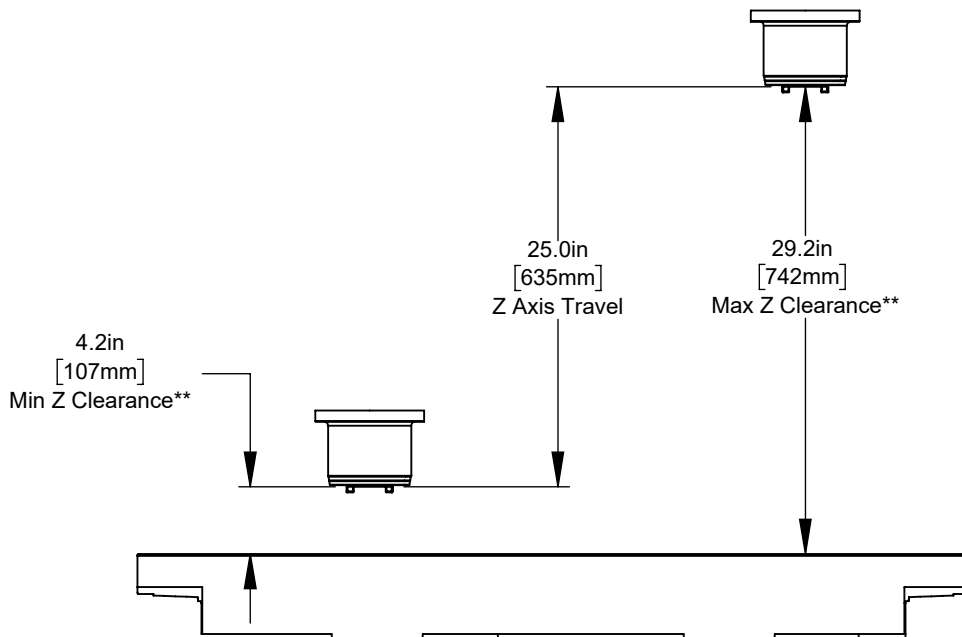
All dimensions based on stackup of sheetmetal, subject to variation of 1/2" ( 13 mm)

Axis	Travel	
X	50in	1270mm
Y	20in	508mm
Z	25in	635mm

X&Y-Axis Clearance

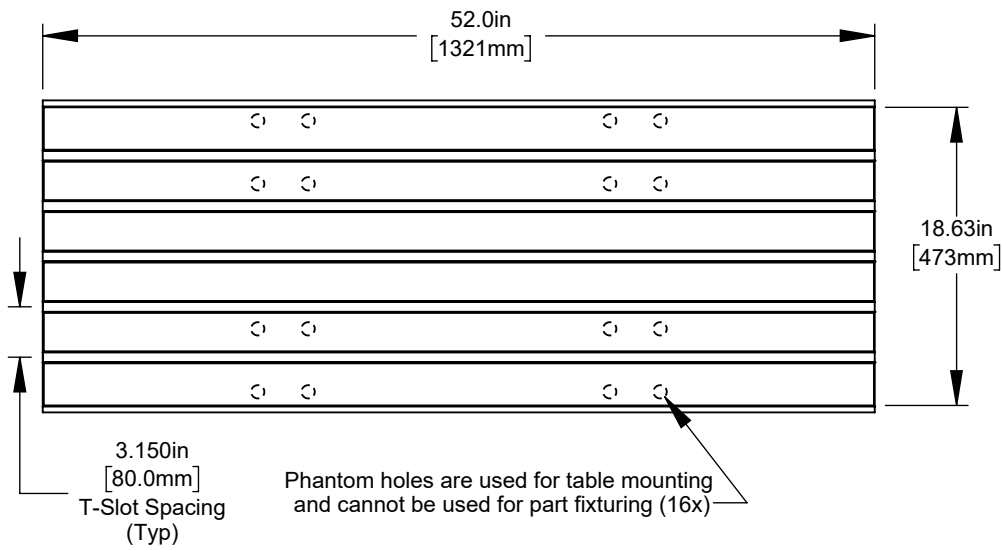


Z-Axis Clearance



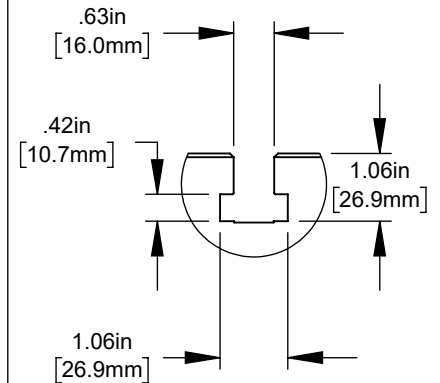
\*\*Note: Add 3.0" [76mm] to Z Axis clearance if Extended Z Clearance option is purchased

Standard T Slot Table

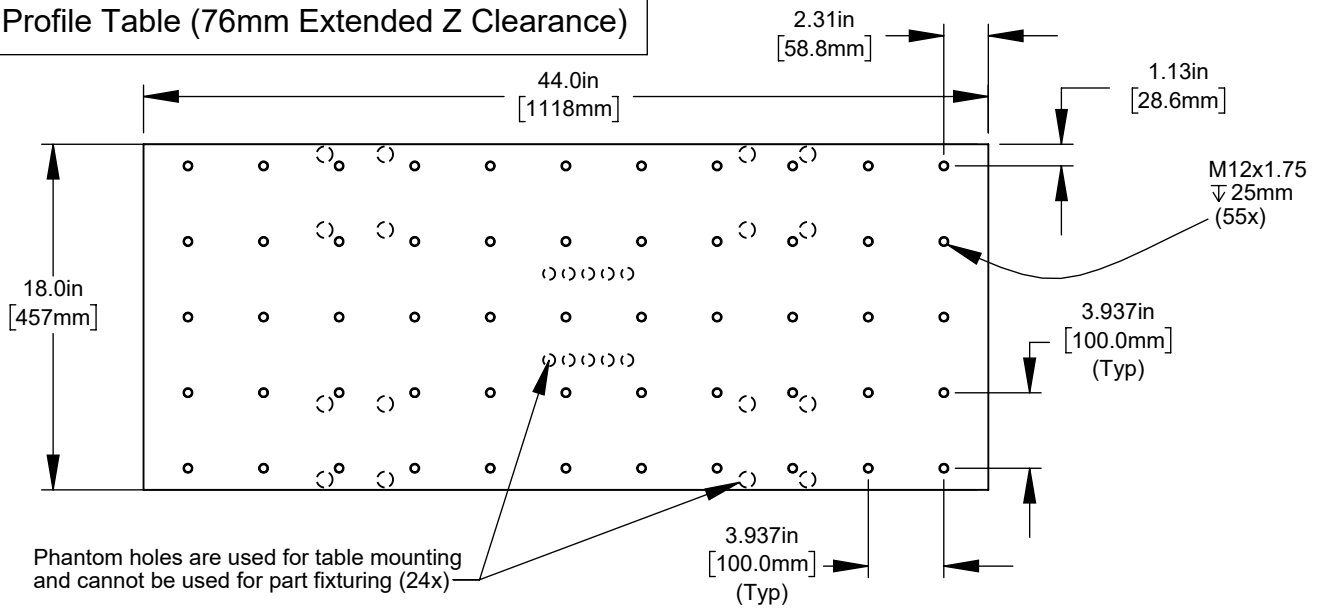


Phantom holes are used for table mounting and cannot be used for part fixturing (16x)

T Slot Detail

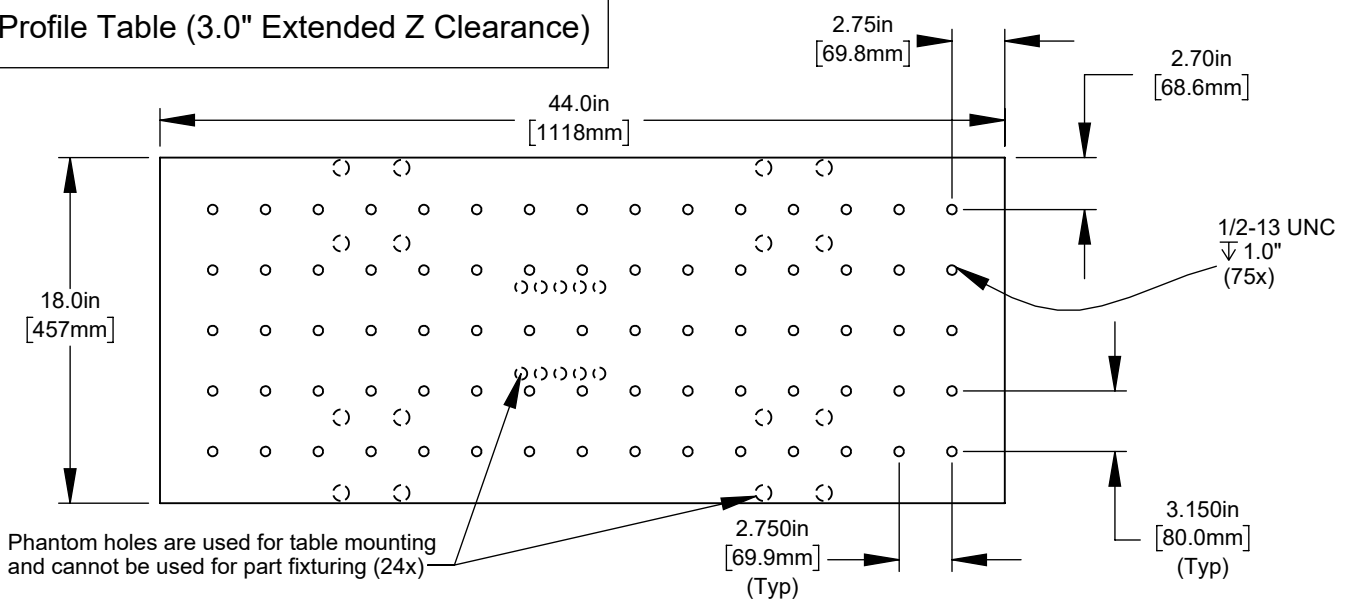


Metric Low Profile Table (76mm Extended Z Clearance)



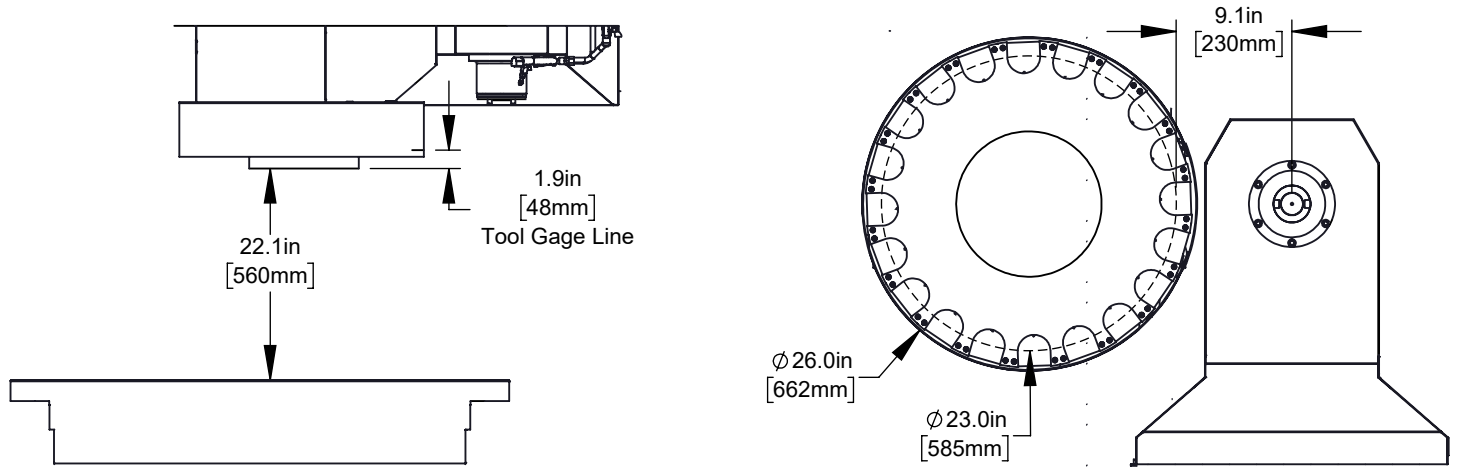
Phantom holes are used for table mounting and cannot be used for part fixturing (24x)

Inch Low Profile Table (3.0" Extended Z Clearance)

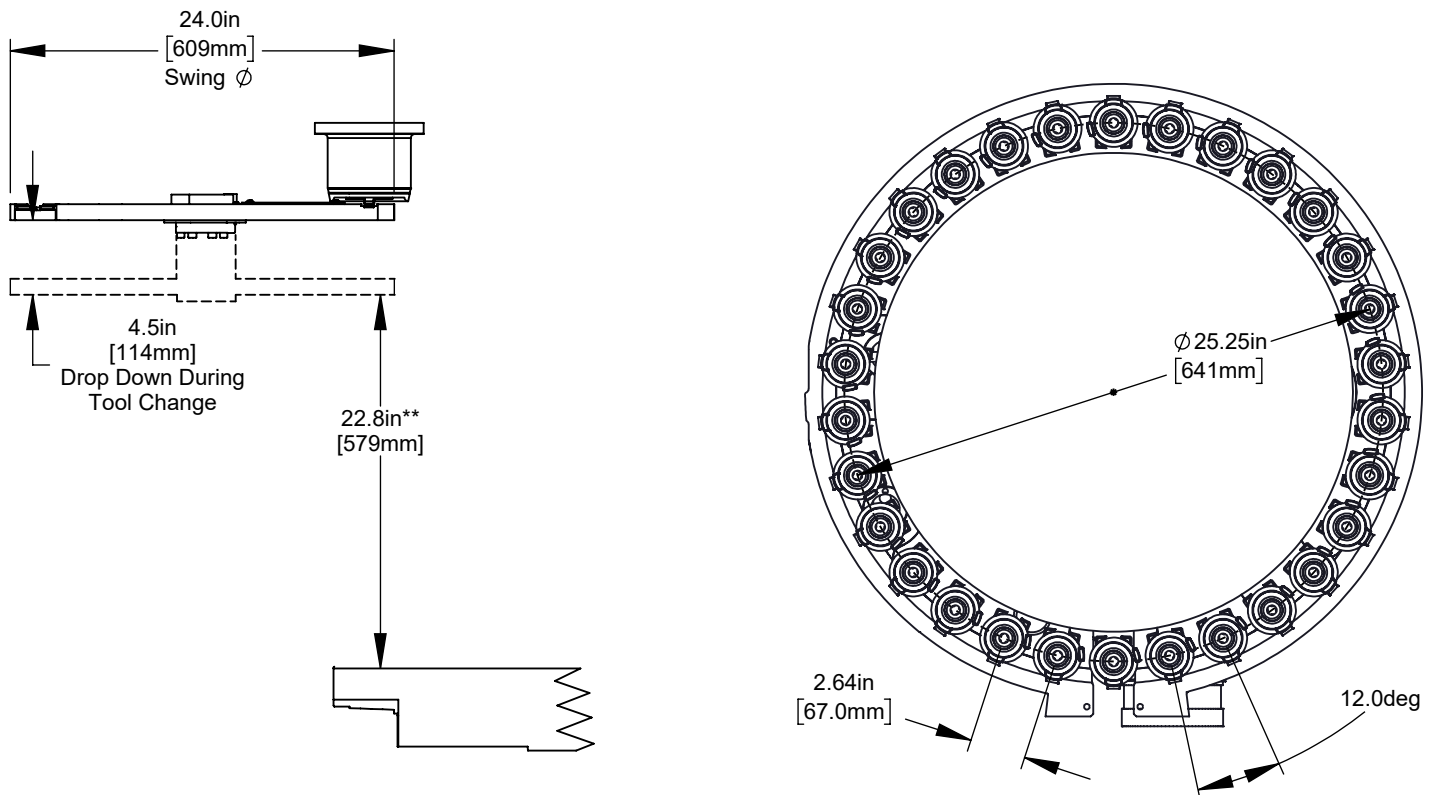


Phantom holes are used for table mounting and cannot be used for part fixturing (24x)

Umbrella Tool Changer



Side Mount Tool Change



\*\*Add 3.0in [76mm] if Extended Z Clearance option is selected