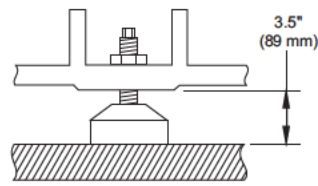
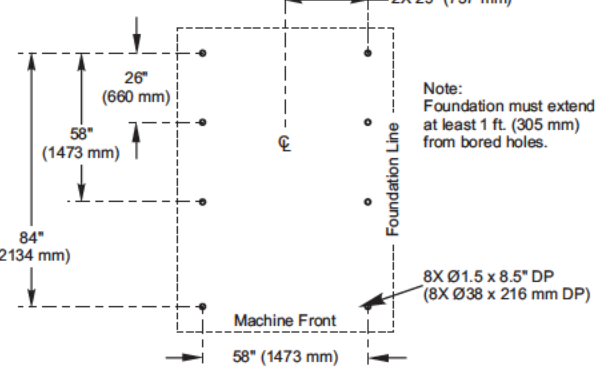
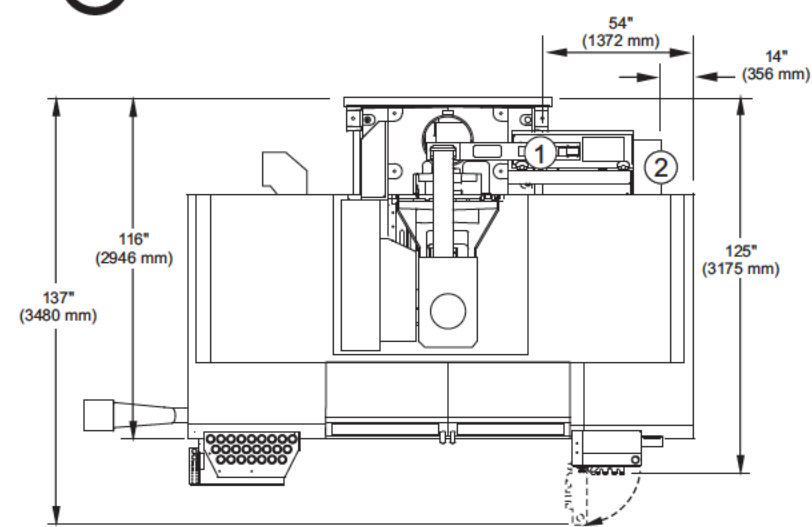


# VF-8/40



Leveling Pad Pin Dimension

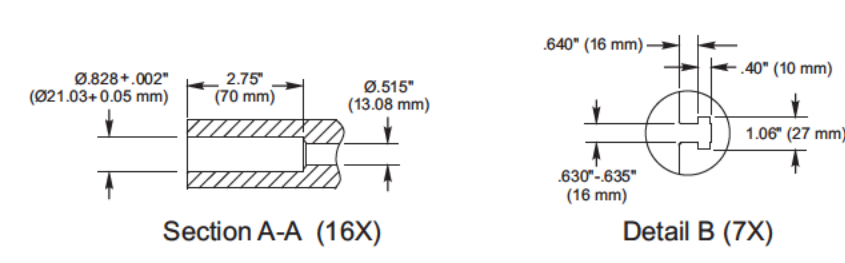
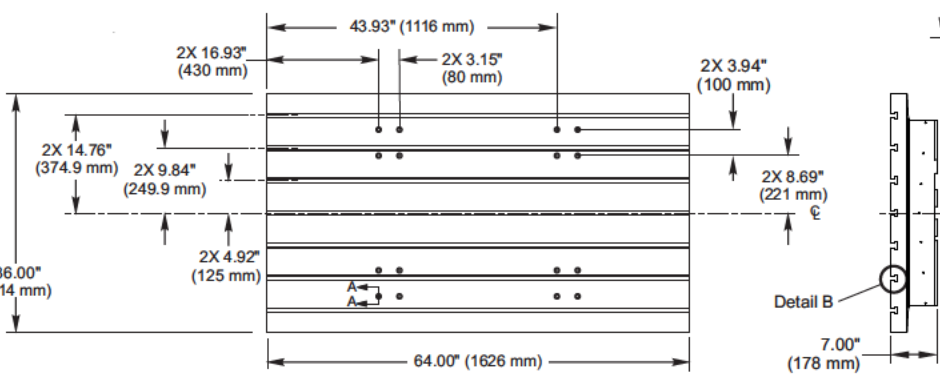
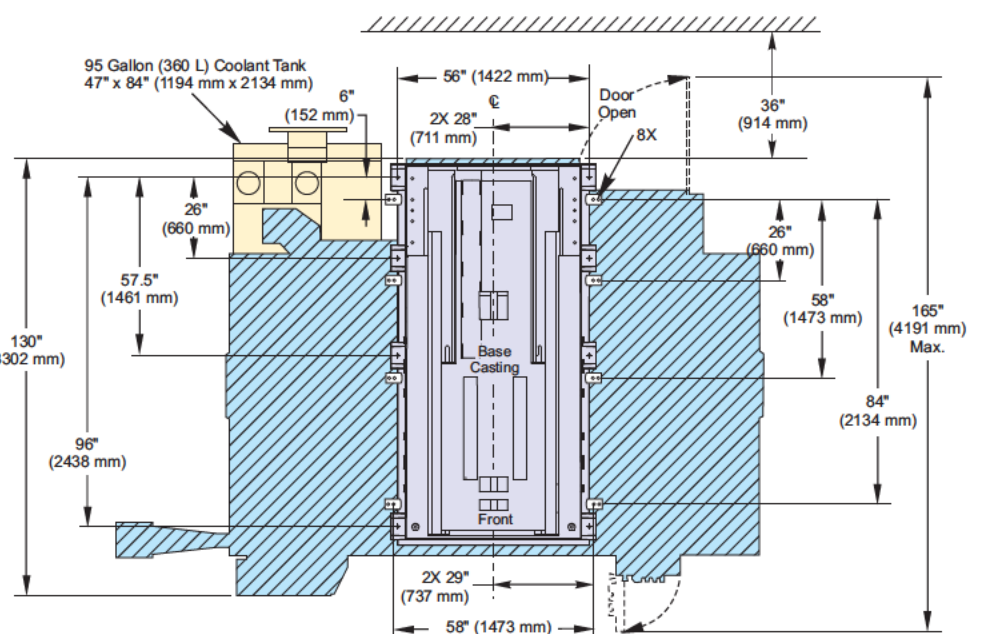
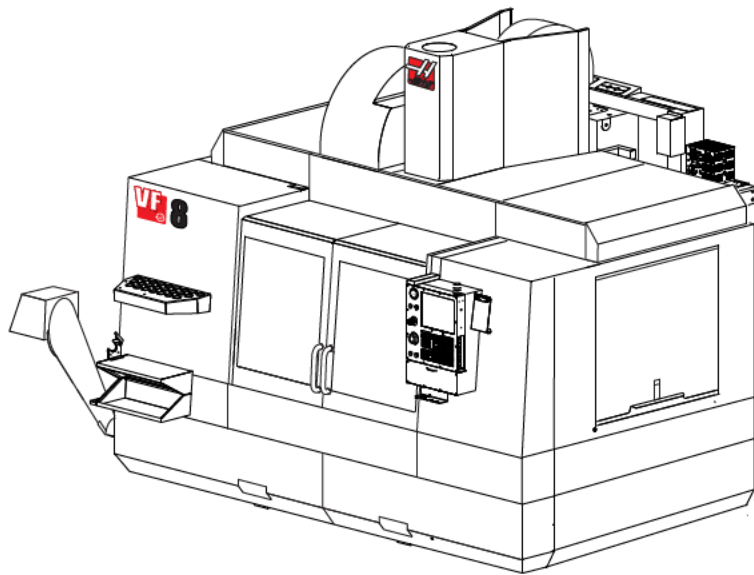
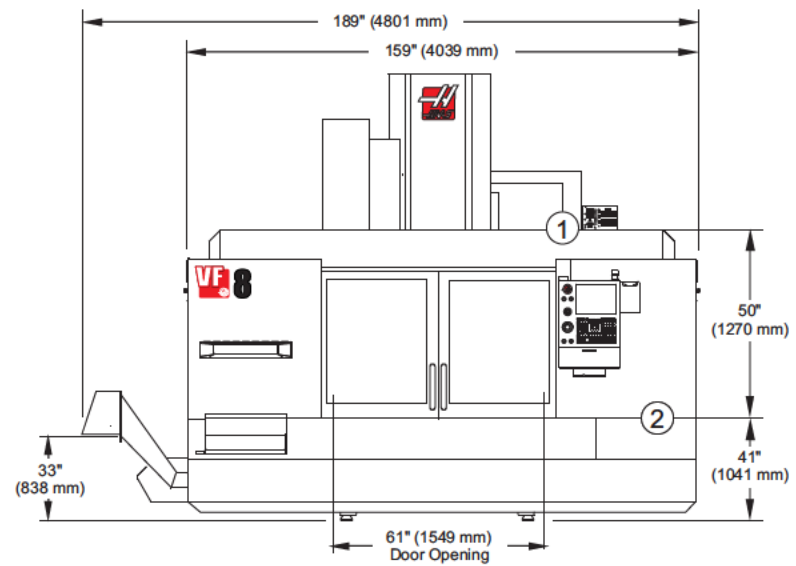
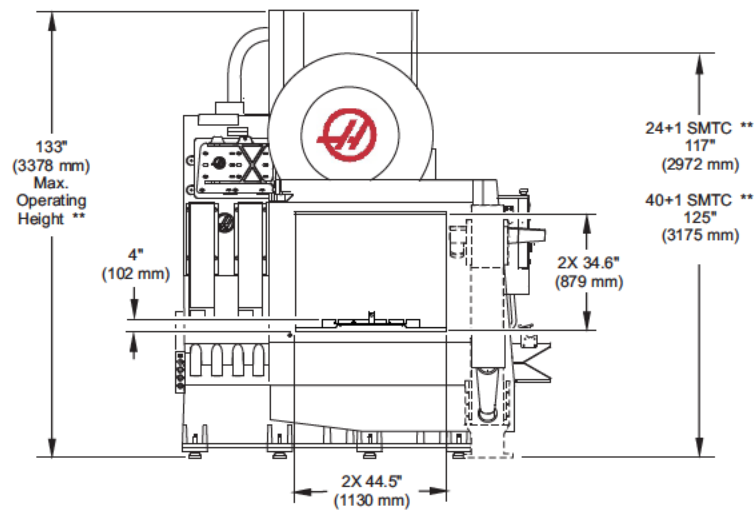
- ① Electrical Connection
- ② Air Connection



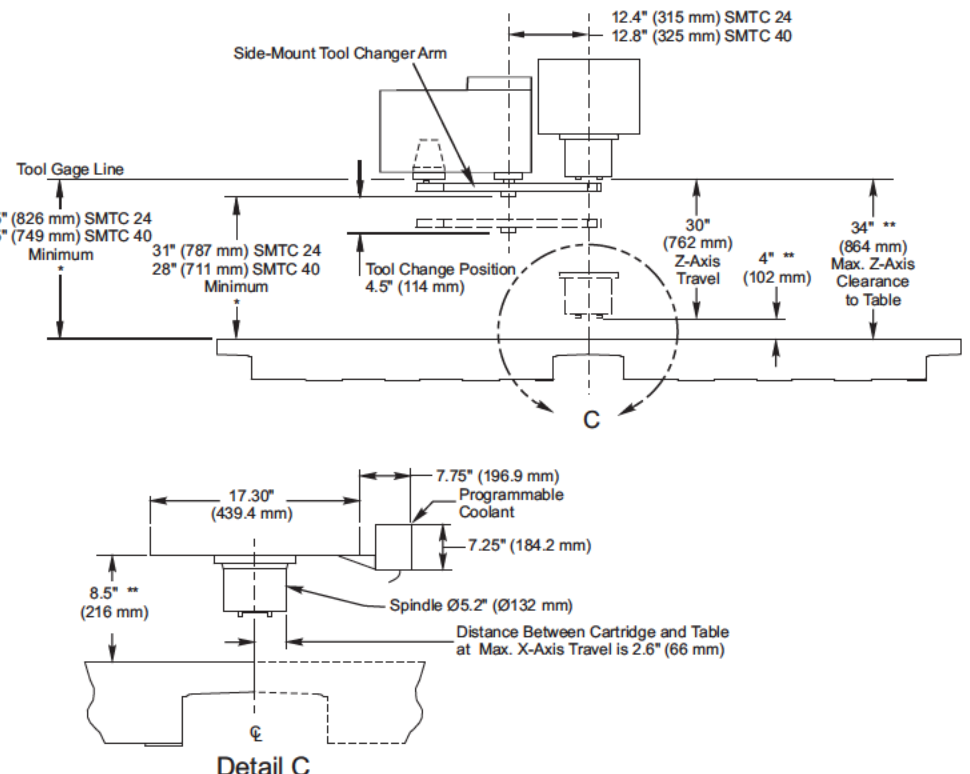
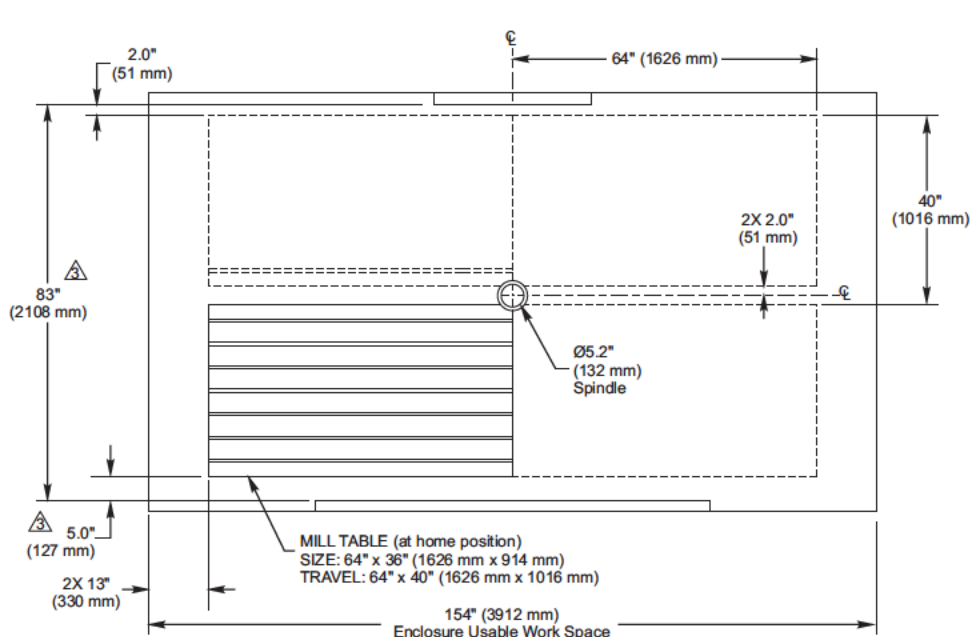
**VF-8 Anchor Pattern**  
This anchor pattern applies for machines built after January 2013.

Two Step Operator Platform included (not shown)  
Length: 72.5" (1842 mm)  
Width: 23.5" (570 mm)  
Height: 12.5" (318 mm)

\*\* Extended Z-Axis Clearance Option add 8" (203 mm)



VF-8 Table Dimensions



NOTES:  
1. TABLE POSITION(S) AT MAX X & Y TRAVELS.  
2. MEASUREMENTS ARE FROM THE EDGE OF MILL TABLE TO NEAREST OBSTRUCTION (ie. ENCLOSURE, WAY COVER, DOORS, ETC.).  
3. DIMENSIONS ARE REDUCED AS HEIGHT ABOVE TABLE INCREASES; ie. FRONT OF ENCLOSURE IS SLOPED 5° INWARD FROM BOTTOM TO TOP. DIMENSIONS SHOWN ARE AT TABLE TOP HEIGHT.

Top View

Front View

VF-8/40 Enclosure Usable Work Space

VF-8/40 Layout Drawing  
Revision E  
June 2016

\*Due to continual product improvements, machine dimensions are subject to change without notice.