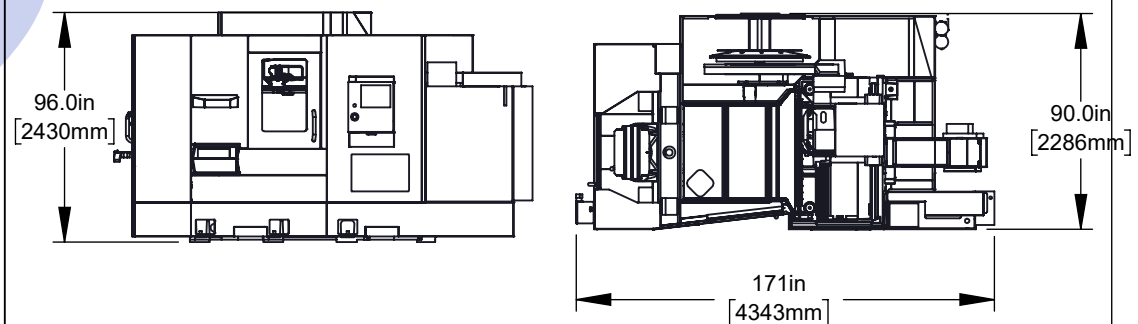
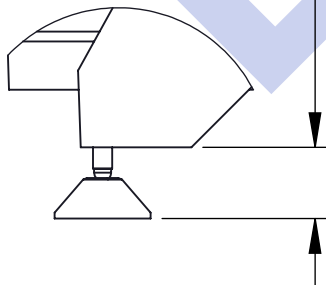


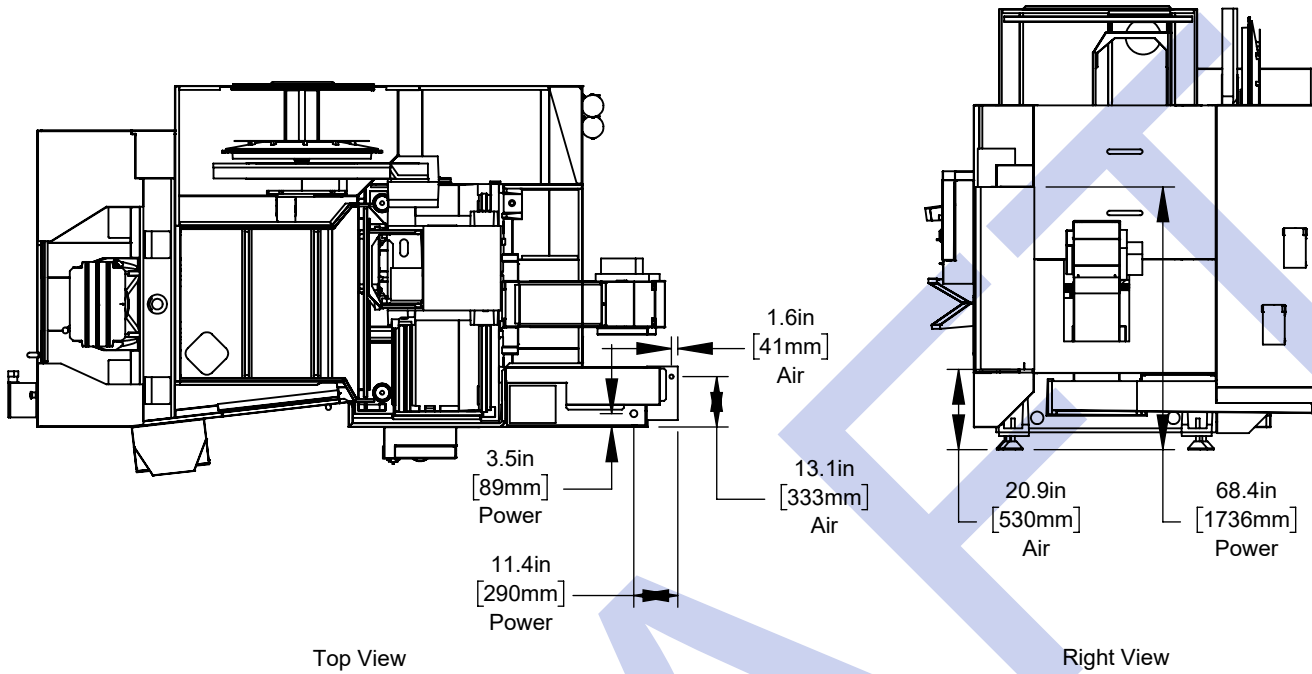
Leveling Pad

3.5in [89mm] Recommended

Shipping Dimensions

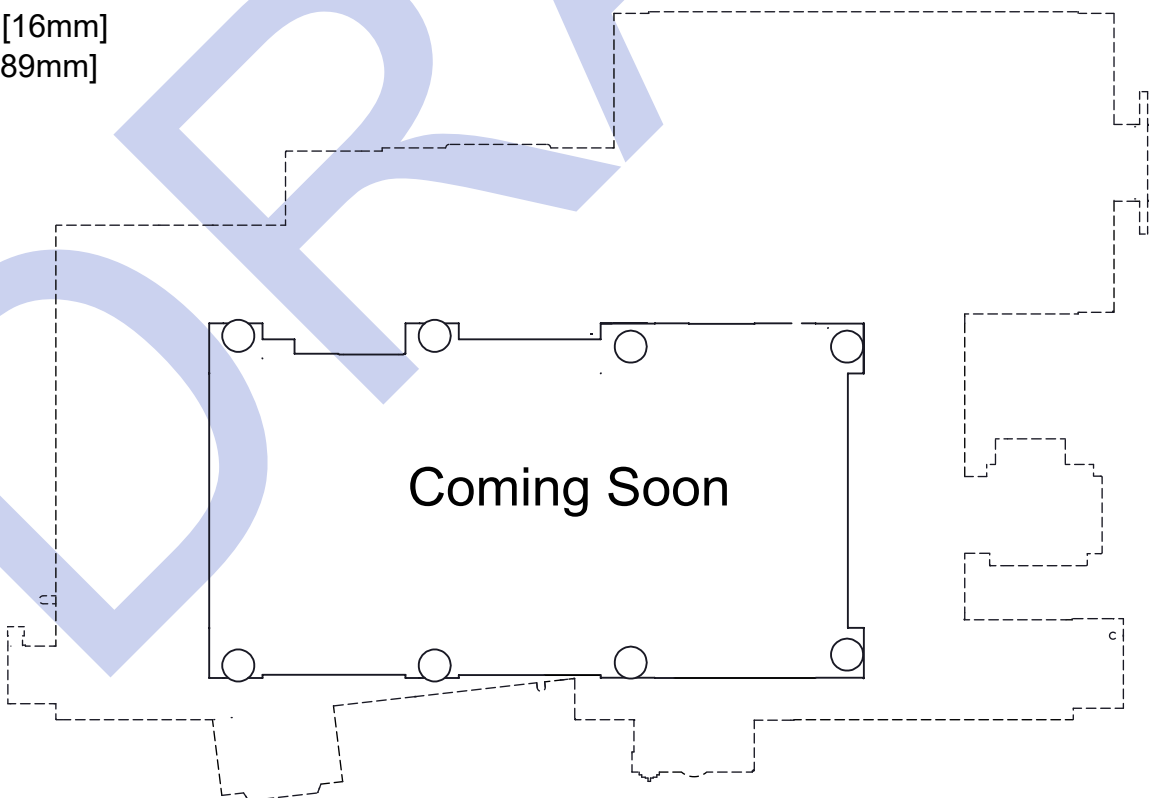


Air & Power

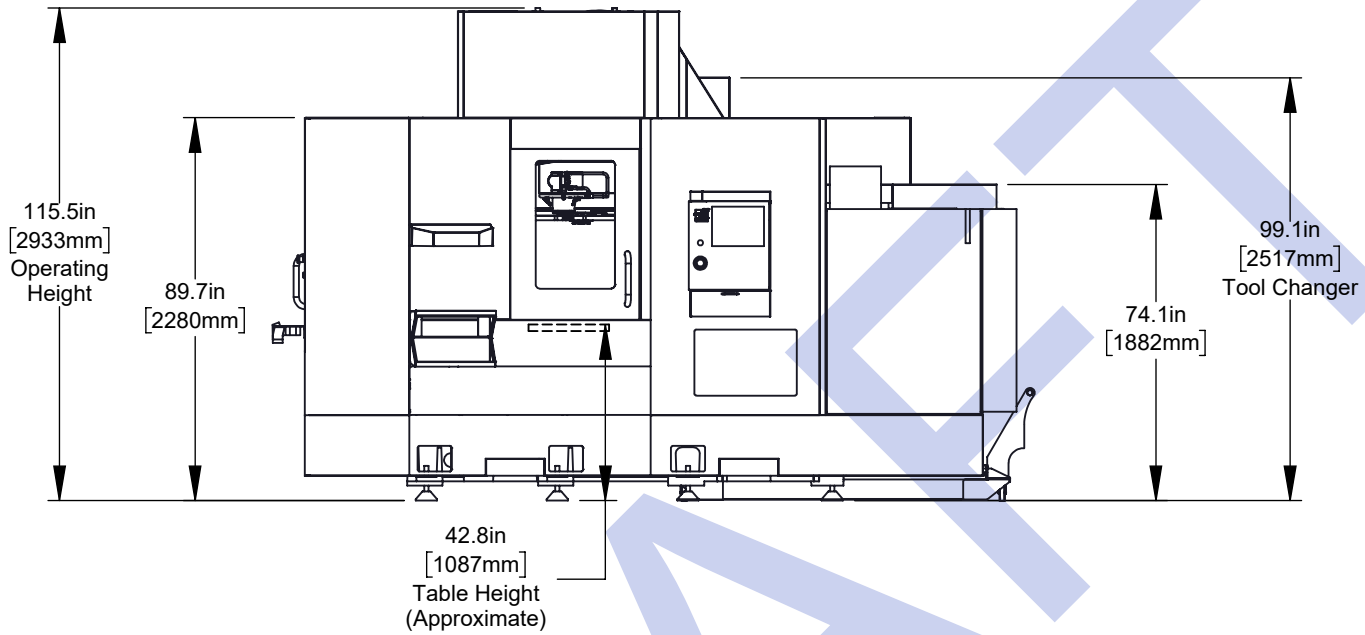


Anchor Pattern

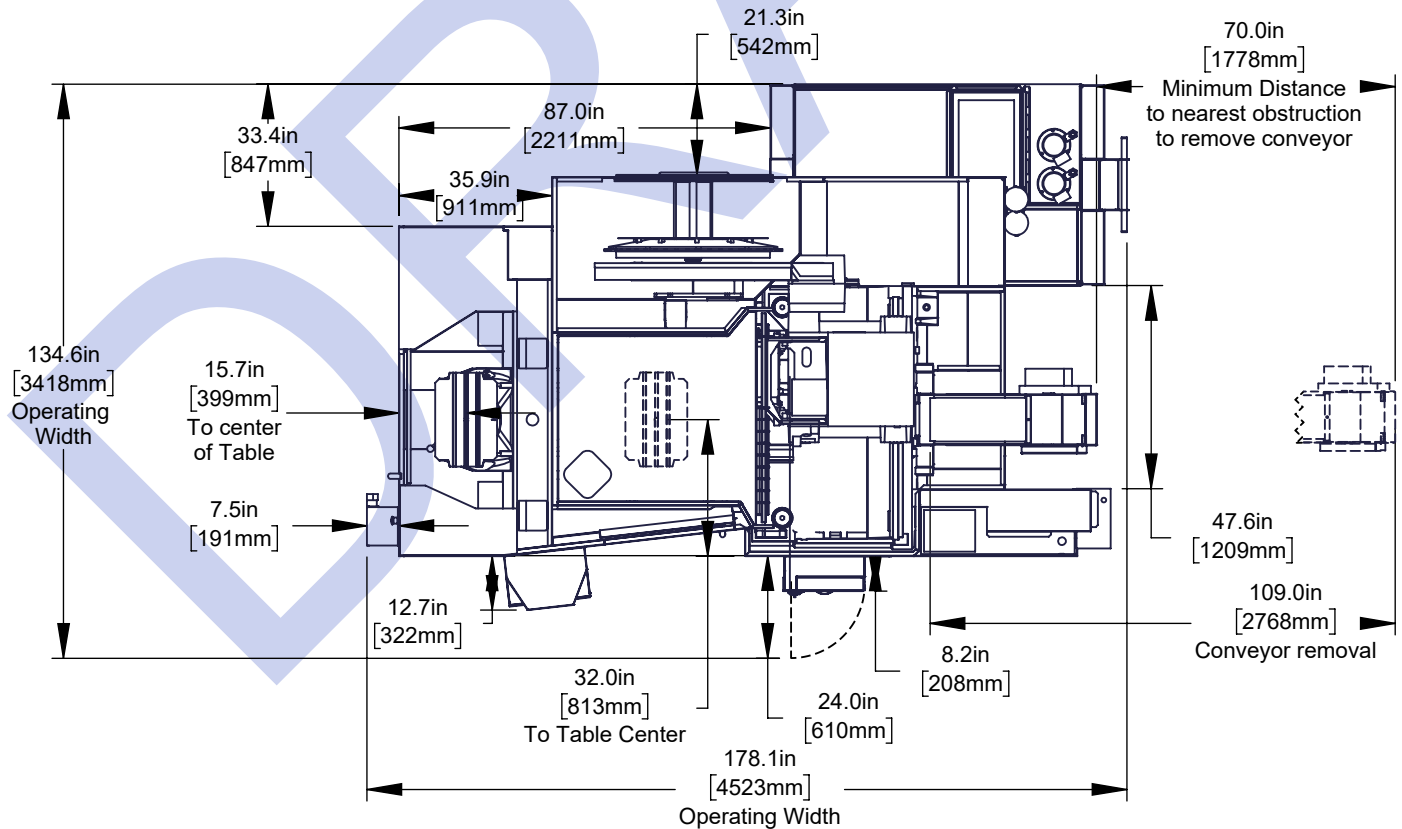
**Anchor Detail**  
Ø .625in [16mm]  
▽ 3.5in [89mm]



Height Breakdown



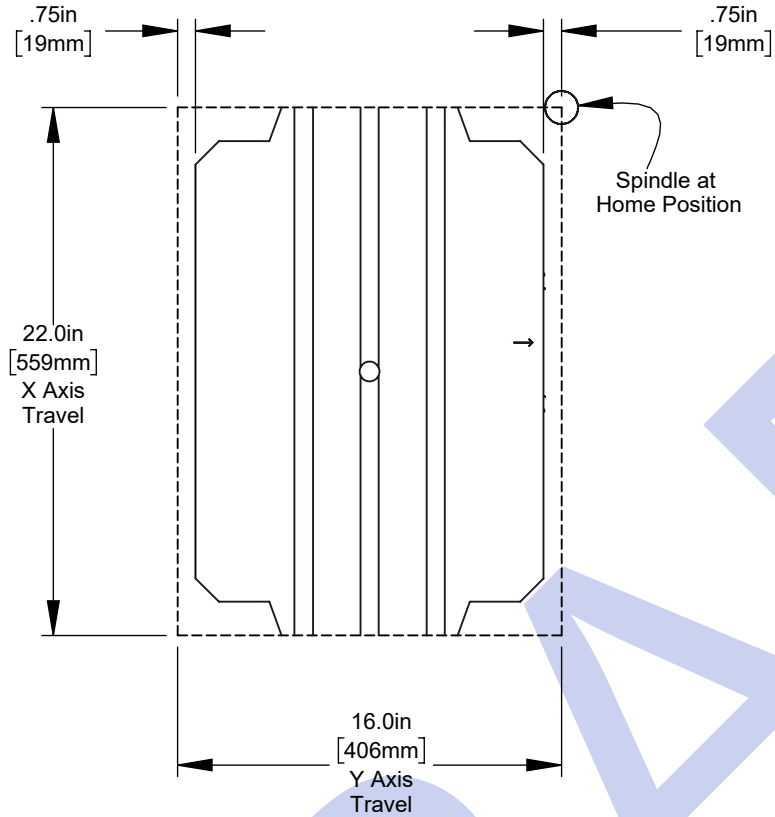
Width Breakdown



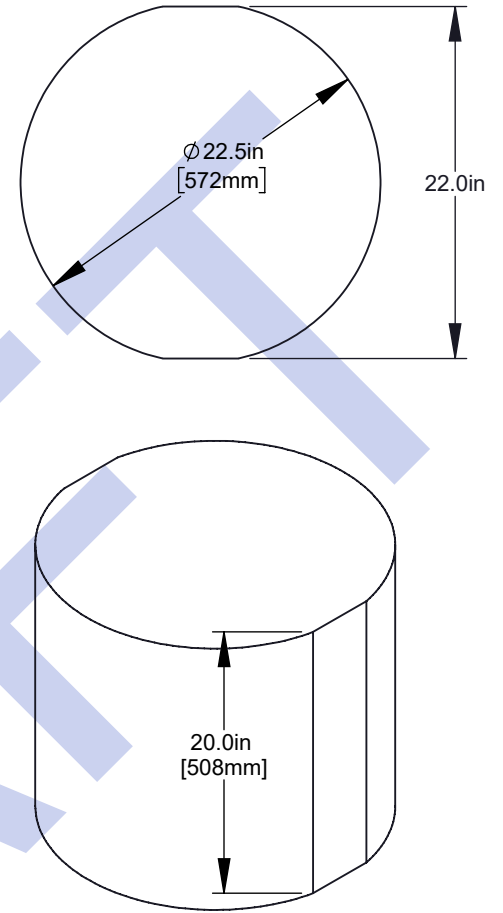
Maintain 3 feet [915mm] clearance to the nearest obstruction around all sides of machine perimeter for maintenance access

Axis Travels		
X	22.0in	559mm
Y	16.0in	406mm
Z	20.0in	508mm

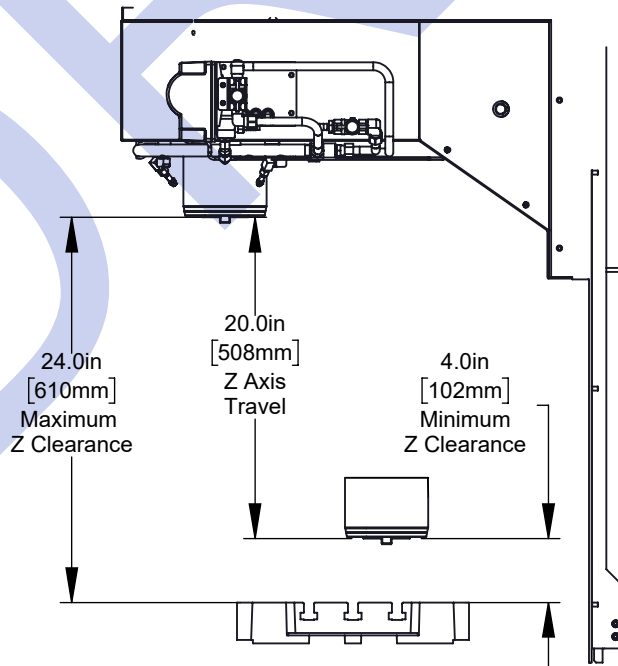
X & Y-Axis Travel



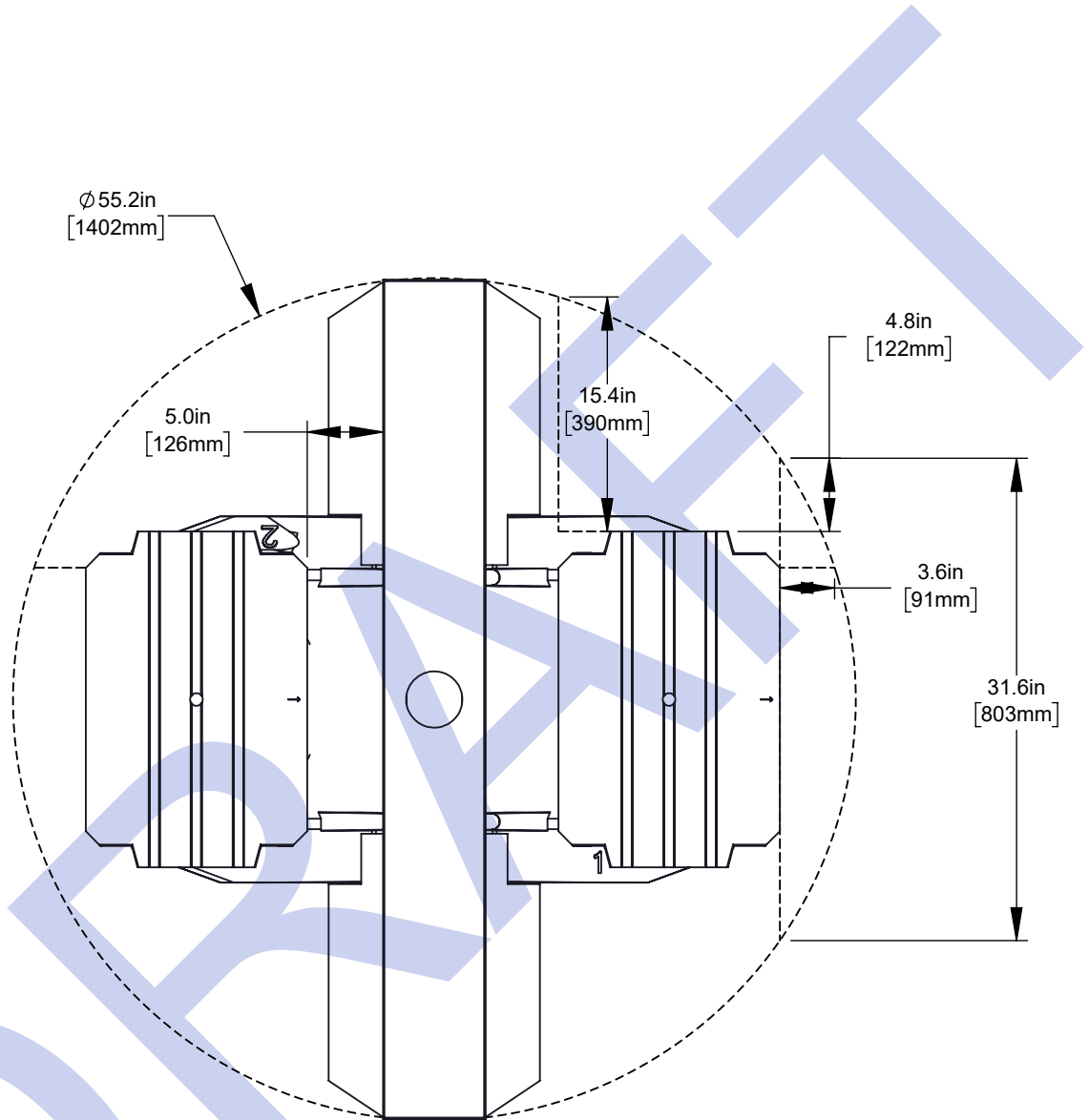
Recommended Work Envelope



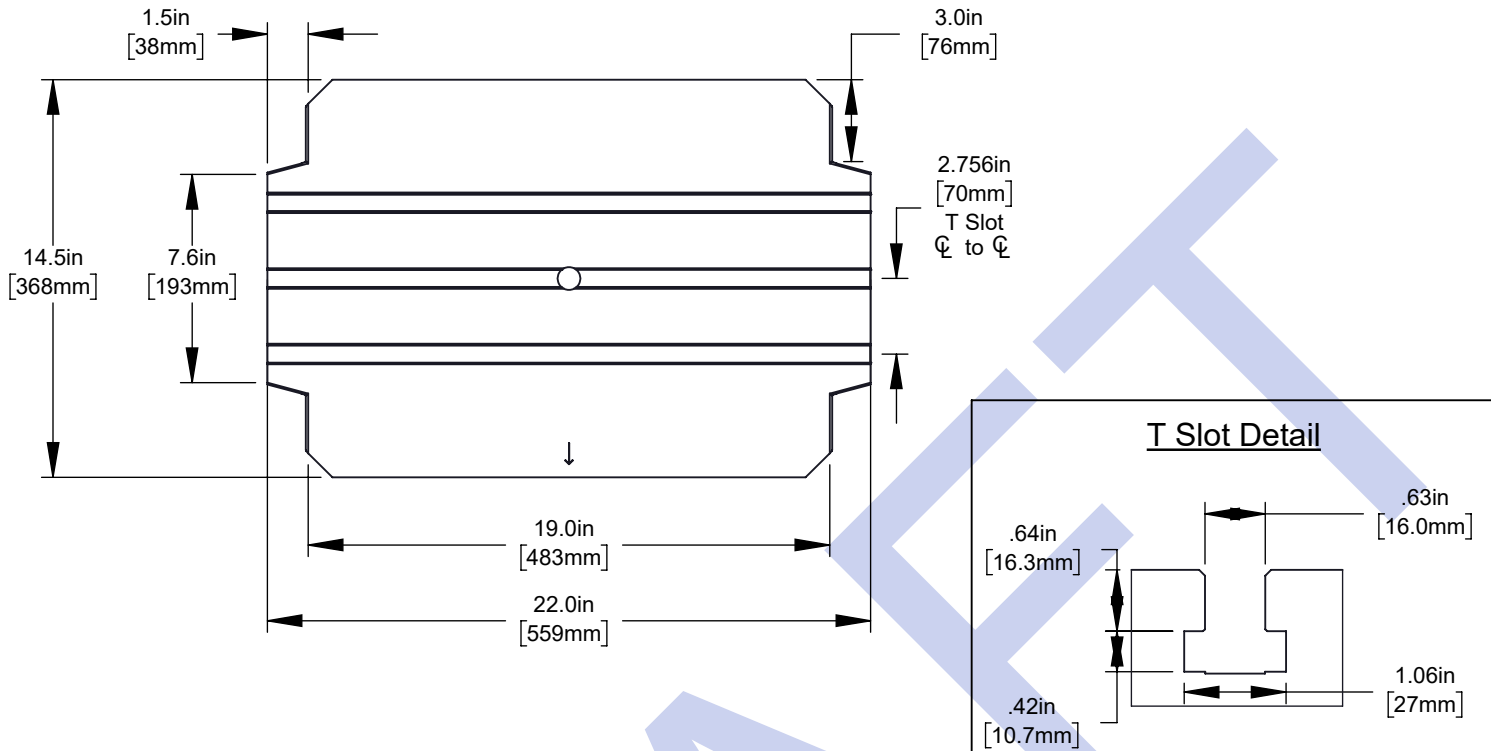
Z Axis Clearance



Pallet Changer Detail



Table



Tool Changer

