



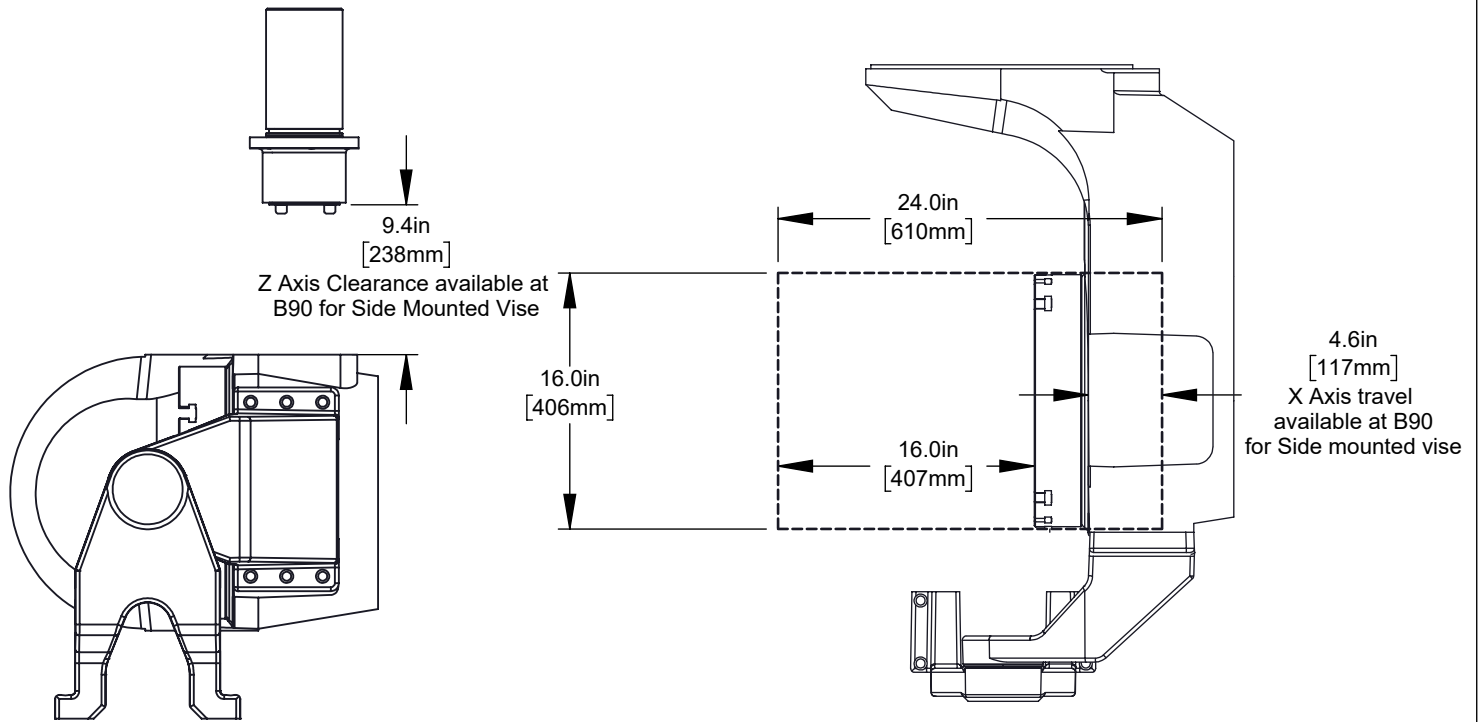








Clearance at B90



Work Envelope

