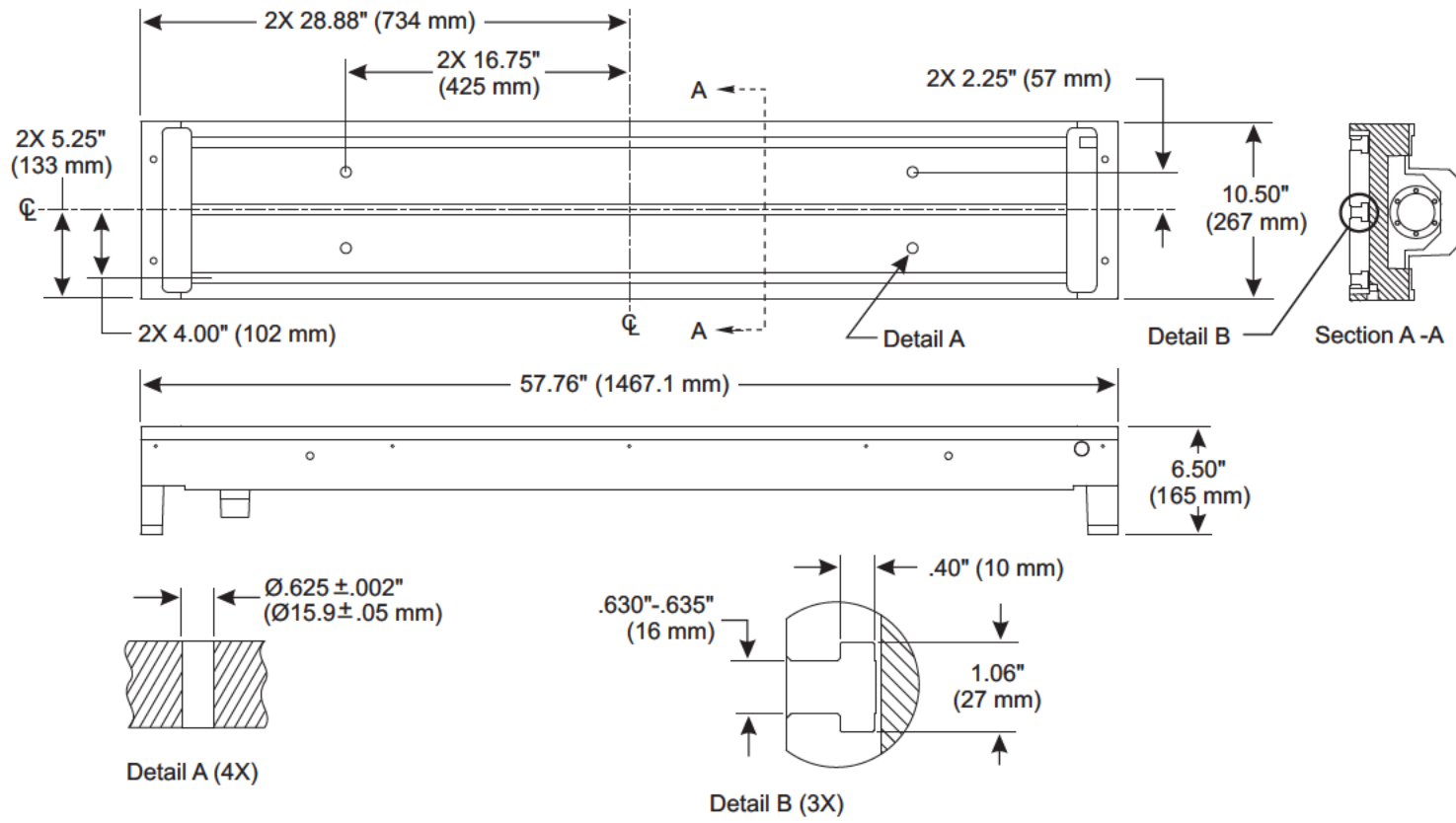
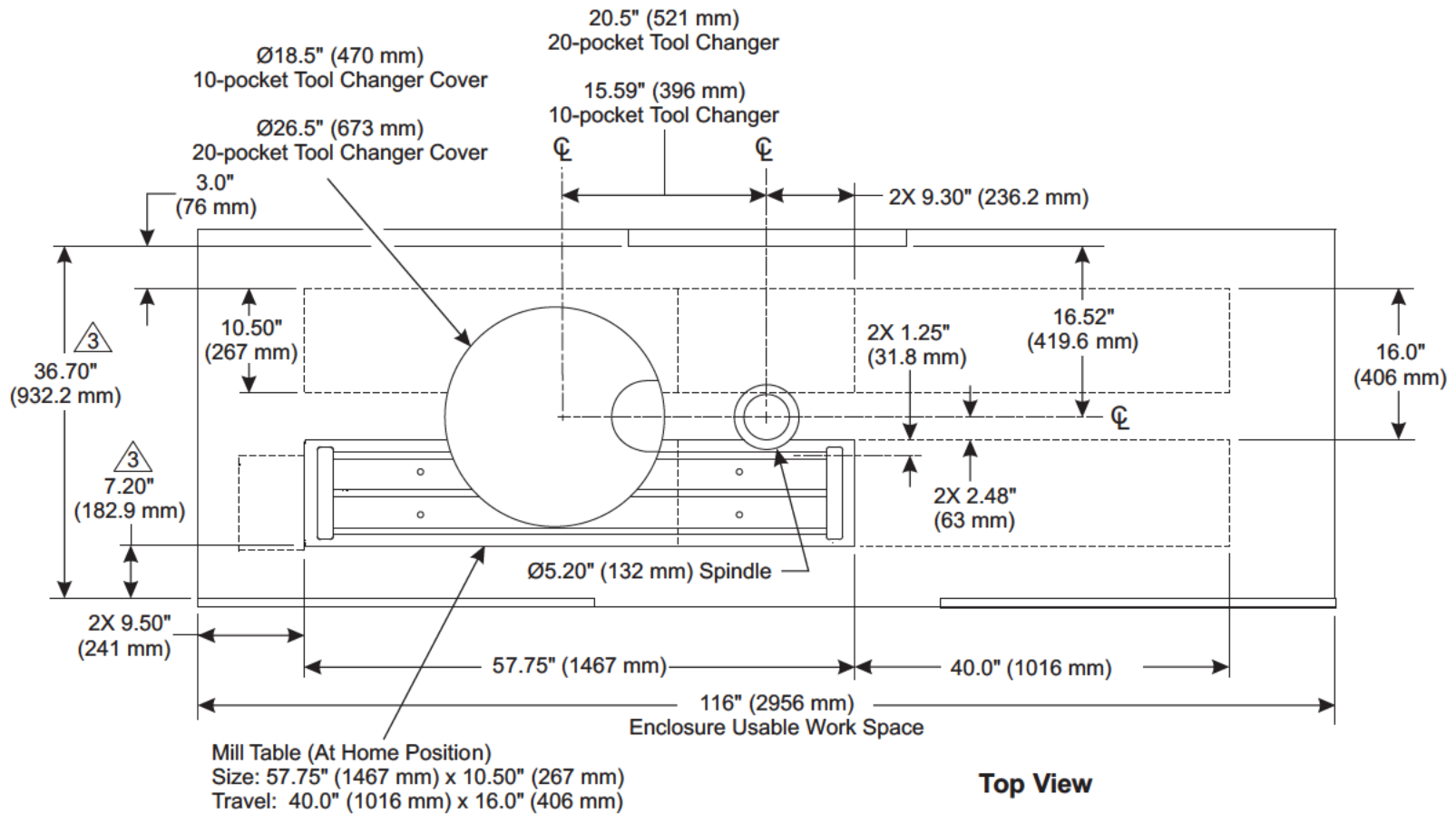


TM-2/TM-2P Machine Layout Drawing

TM-2 Enclosure Work Space



TM-2 Table Dimensions



- Notes: 1. Table position(s) at max X and Y travels.
 2. Measurements are from the edge of Mill table to nearest obstruction (ie. Enclosure, Waycover, Doors, etc.).
 Dimensions are reduced as height above Table increases.
 ie. Front of enclosure is sloped 5" inward from bottom to top.
 dimensions shown are at Table top height.

