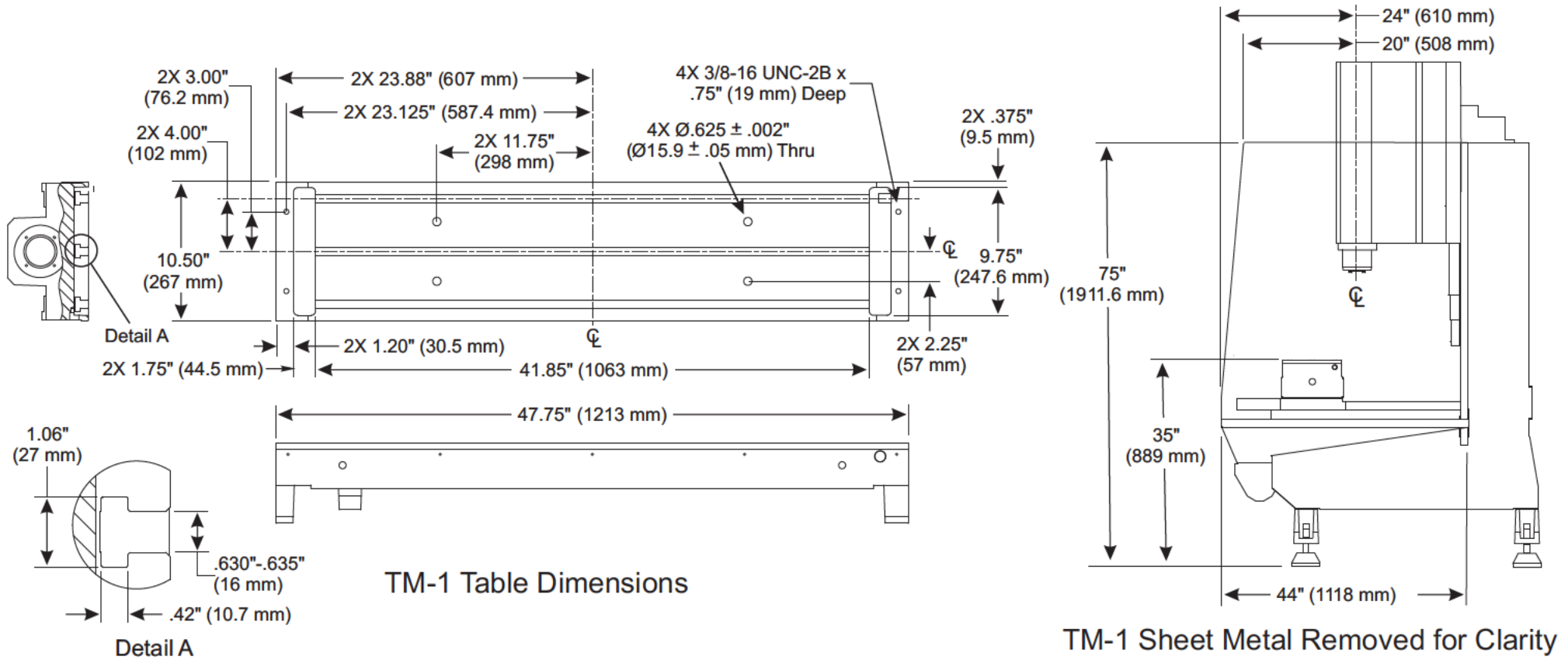


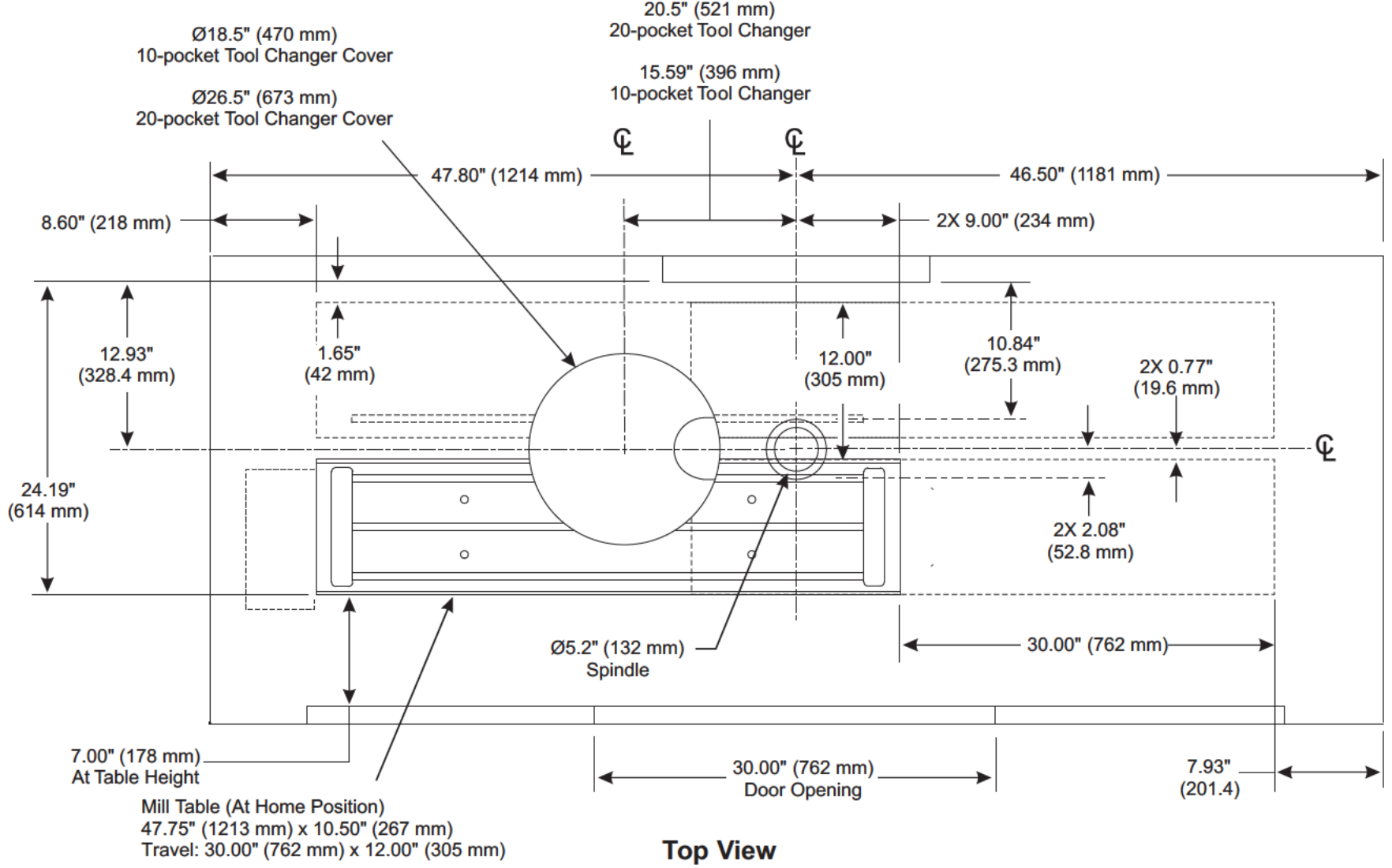
TM-1/TM-1P Machine Layout Drawing

TM-1 Enclosure Work Space

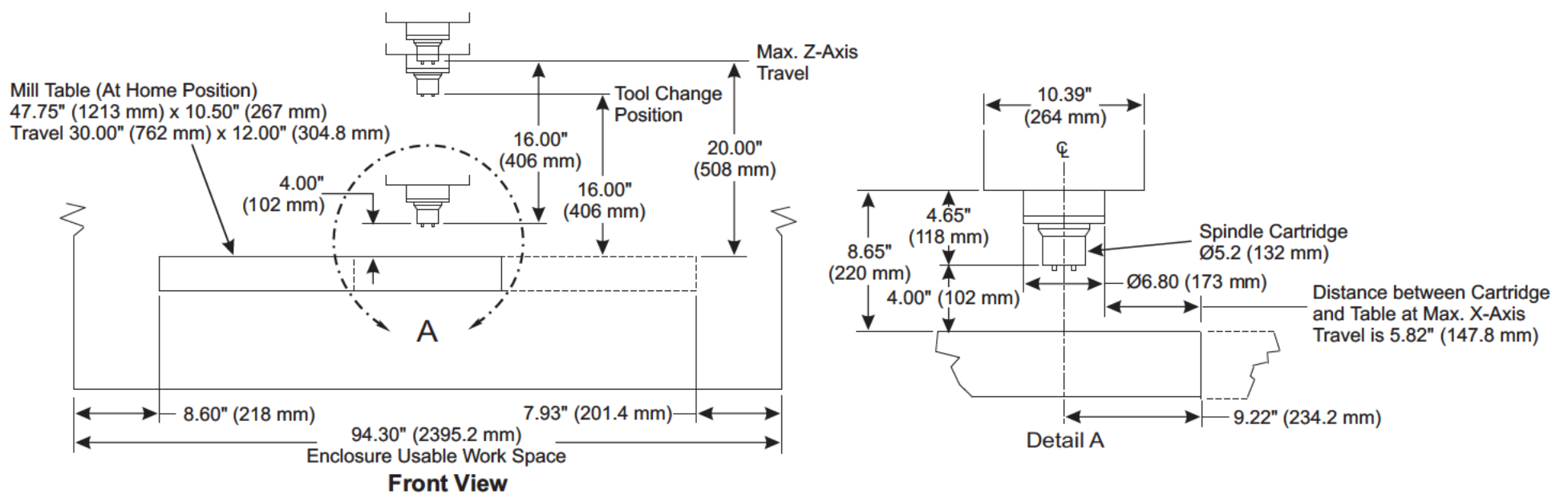


Detail A

TM-1 Sheet Metal Removed for Clarity



Top View



Front View

Detail A

*Due to continual product improvements, machine dimensions are subject to change without notice.