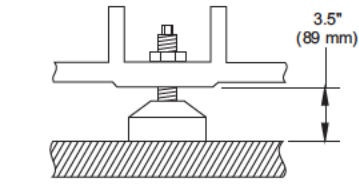
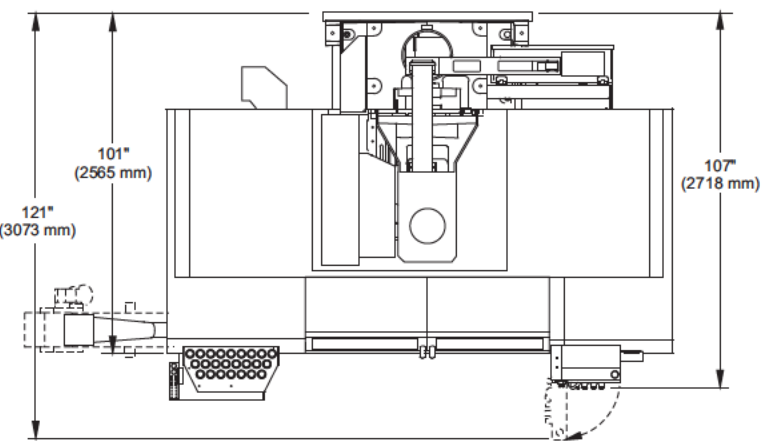


VM-6 Anchor Pattern



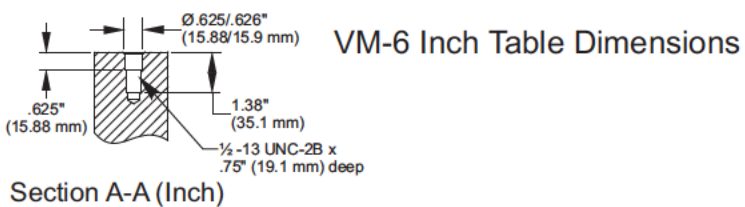
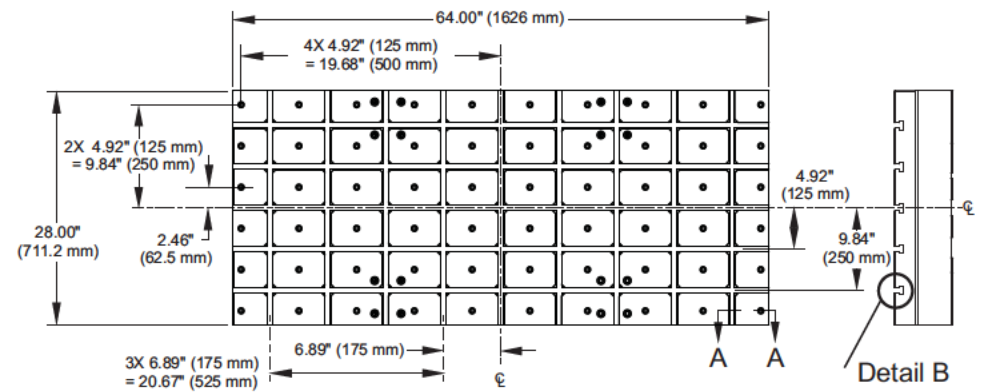
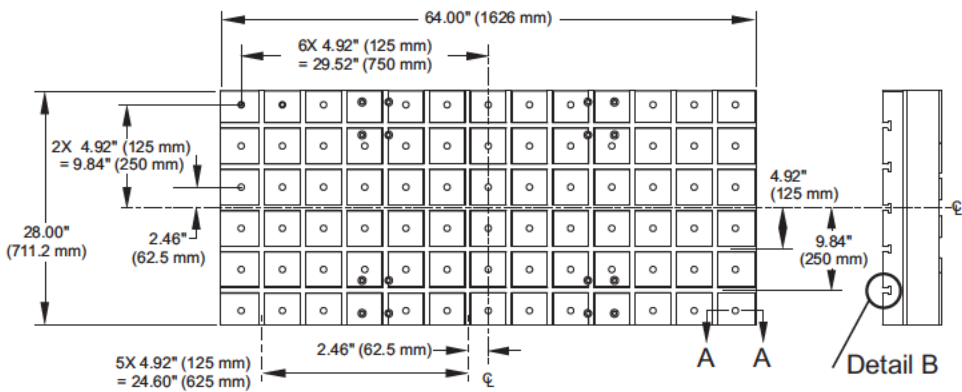
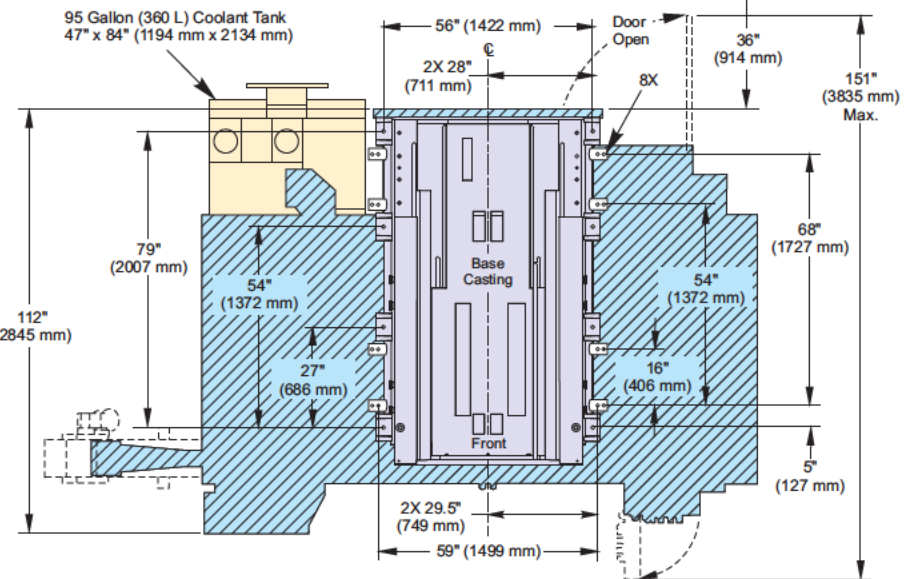
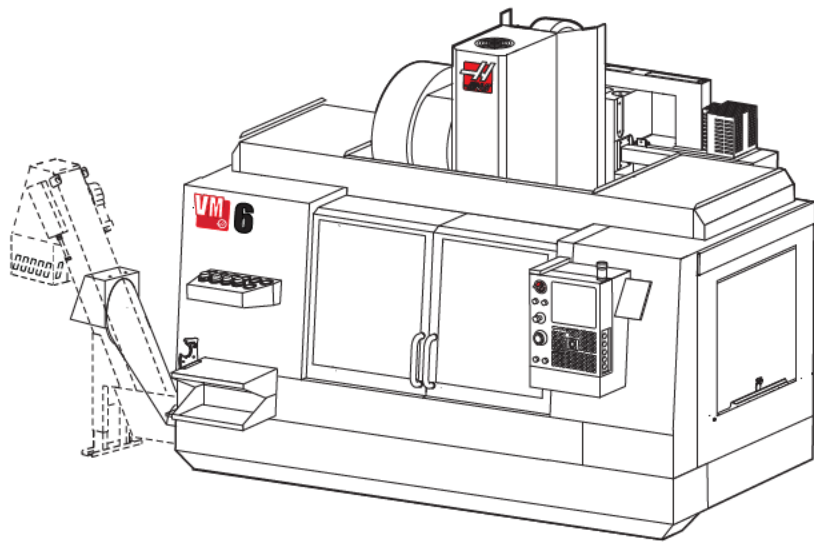
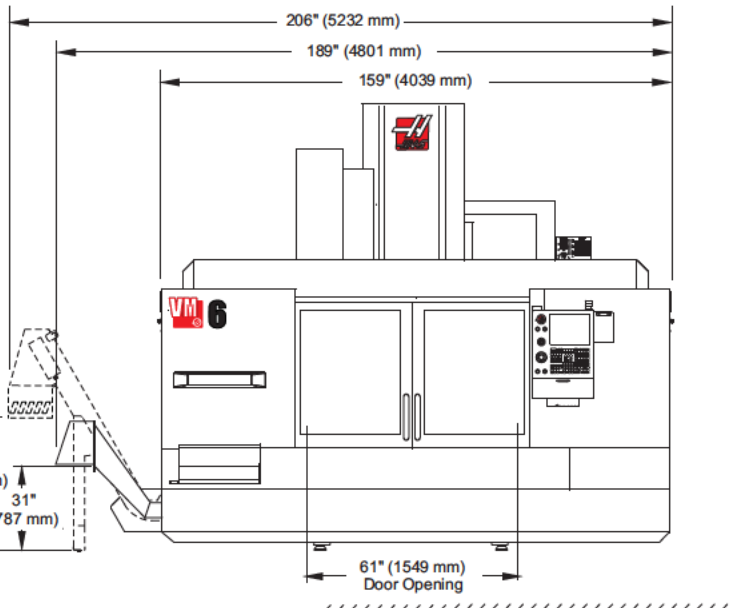
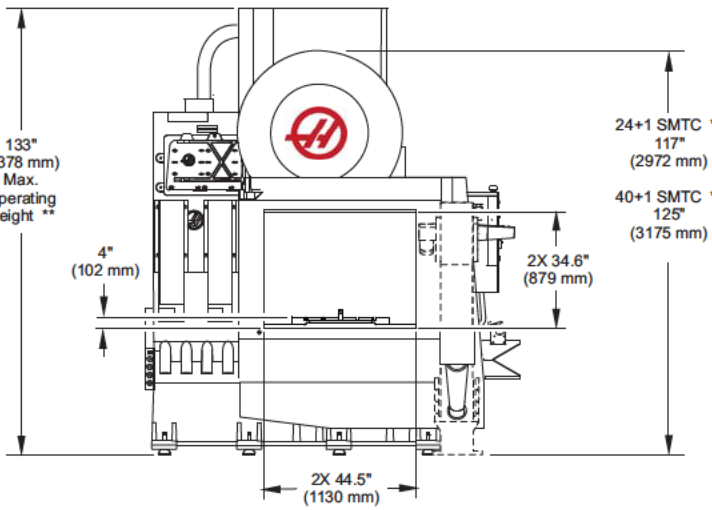
Leveling Pad Pin Dimension

Reference ES0039
Machine Clearance Heights

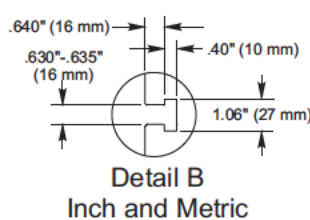


**** Extended Z-Axis Clearance Option
add 8" (203 mm)**

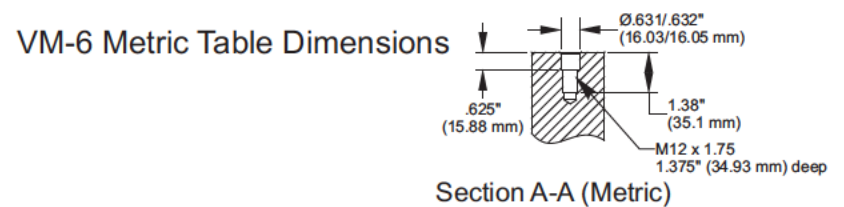
Two Step Operator Platform included (not shown)
Length: 72.5" (1842 mm)
Width: 23.5" (570 mm)
Height: 12.5" (318 mm)



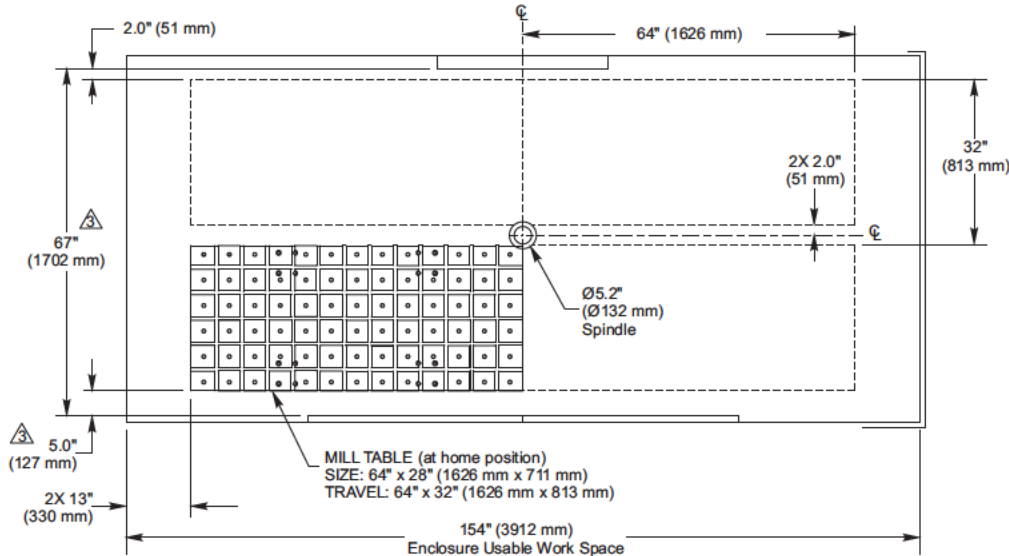
VM-6 Inch Table Dimensions



Detail B
Inch and Metric

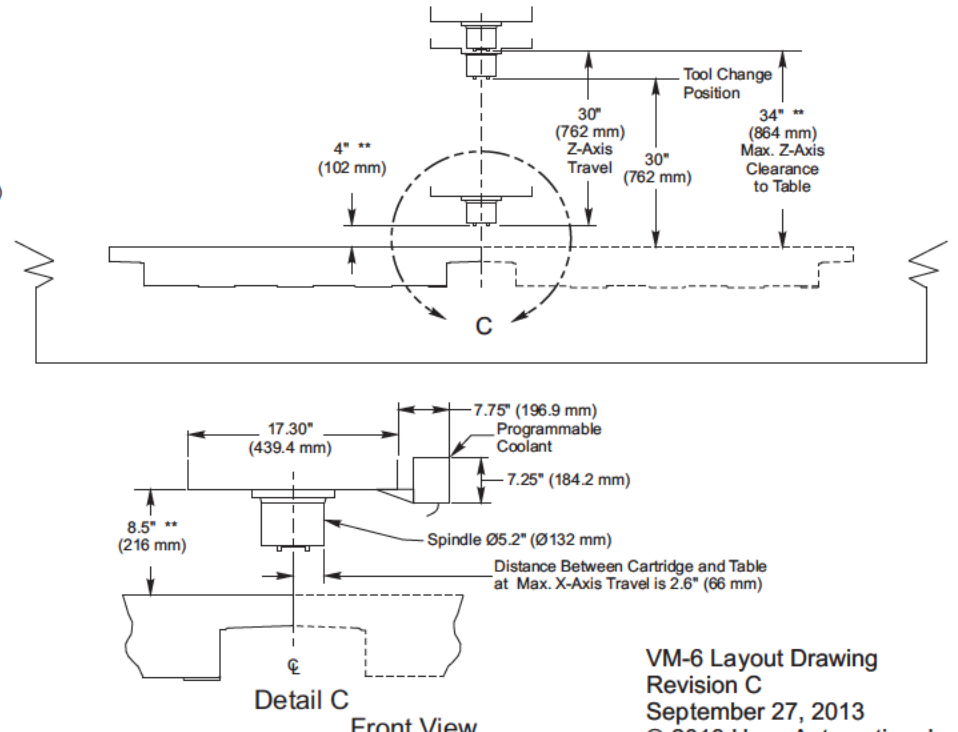


Section A-A (Metric)



Top View

VM-6 Enclosure Usable Work Space



Detail C
Front View

- NOTES:
1. TABLE POSITION(S) AT MAX X & Y TRAVELS.
2. MEASUREMENTS ARE FROM THE EDGE OF MILL TABLE TO NEAREST OBSTRUCTION (i.e. ENCLOSURE WAY COVER, DOORS, ETC.).
3. DIMENSIONS ARE REDUCED AS HEIGHT ABOVE TABLE INCREASES; i.e. FRONT OF ENCLOSURE IS SLOPED 5° INWARD FROM BOTTOM TO TOP. DIMENSIONS SHOWN ARE AT TABLE TOP HEIGHT.

*Due to continual product improvements, machine dimensions are subject to change without notice.