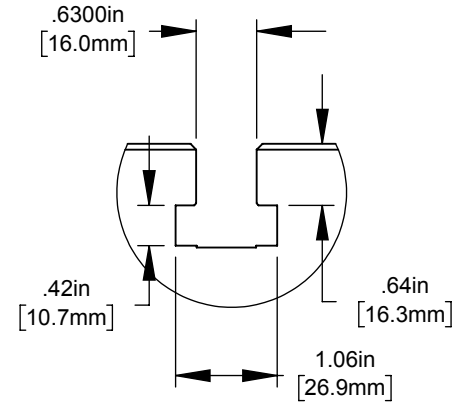
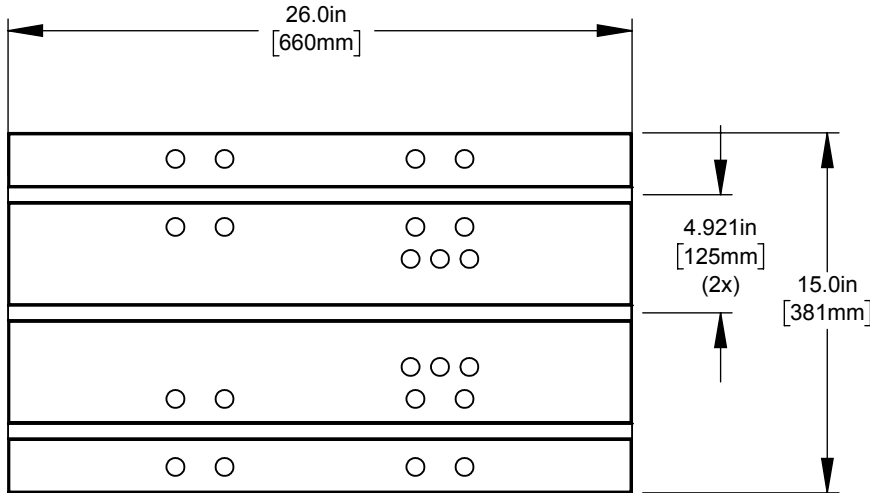
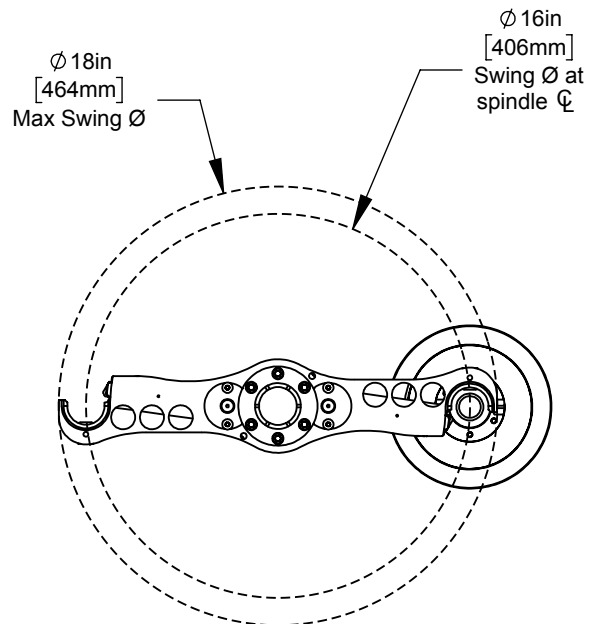
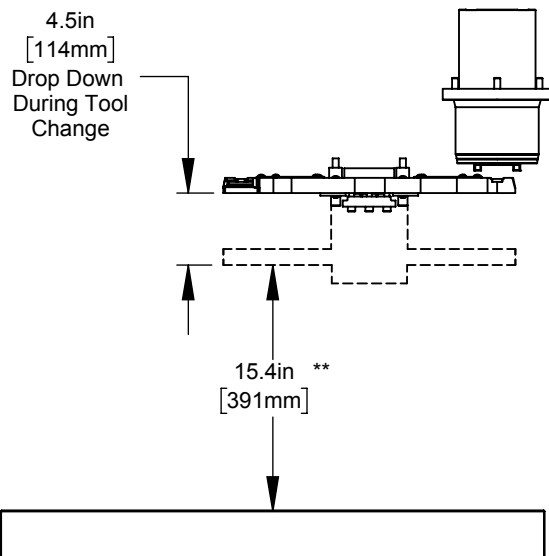


Table



T Slot Detail

Tool Changer



**Add 4" (101.6mm) for EC4 (Extended Clearance Option)