





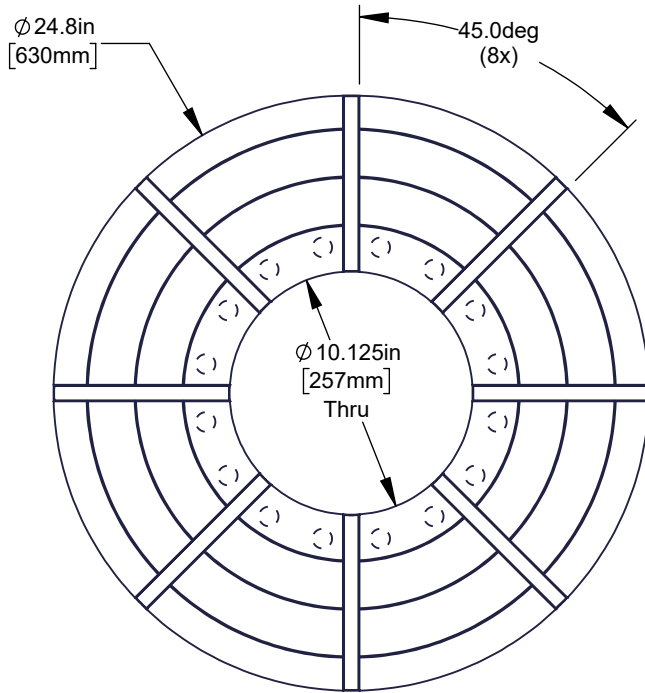




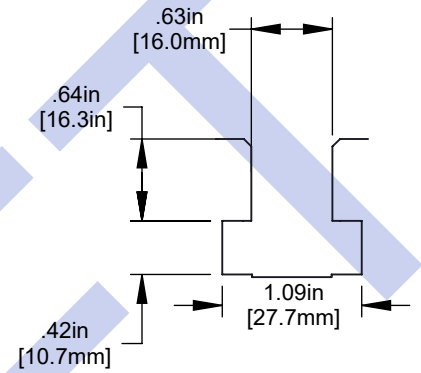




Table



T-Slot Detail



Note - 16x phantom holes are not available to use for fixturing

Tool Changer

