



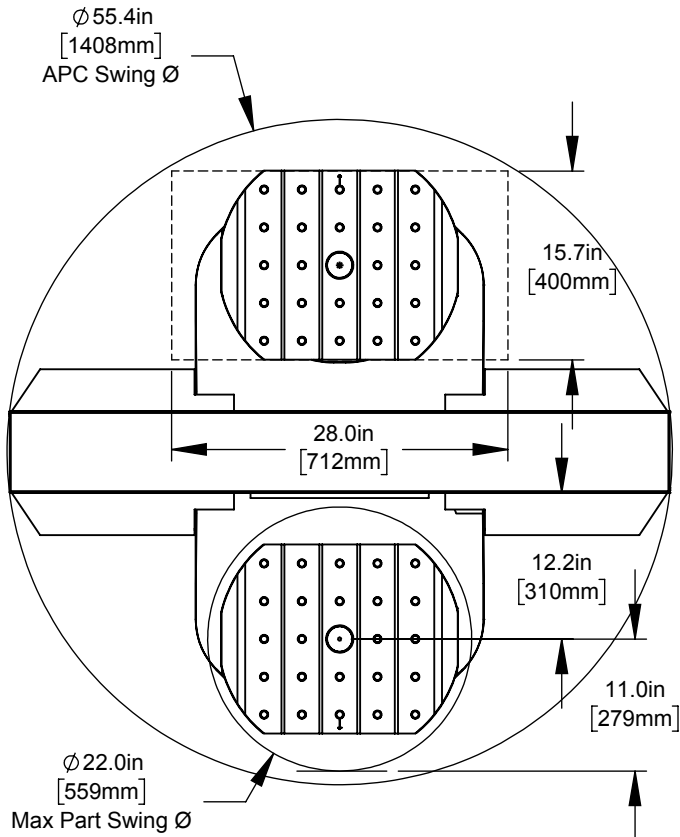




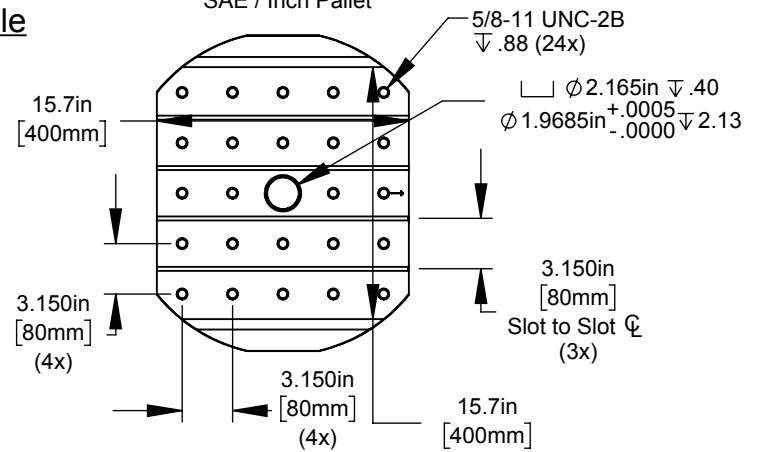




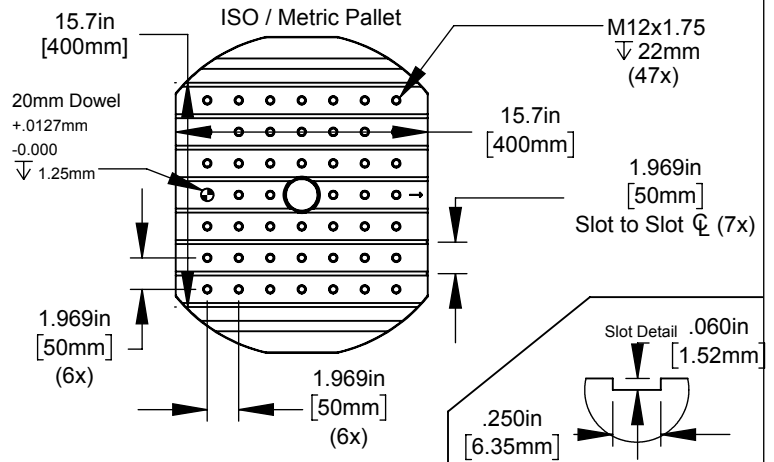
Table



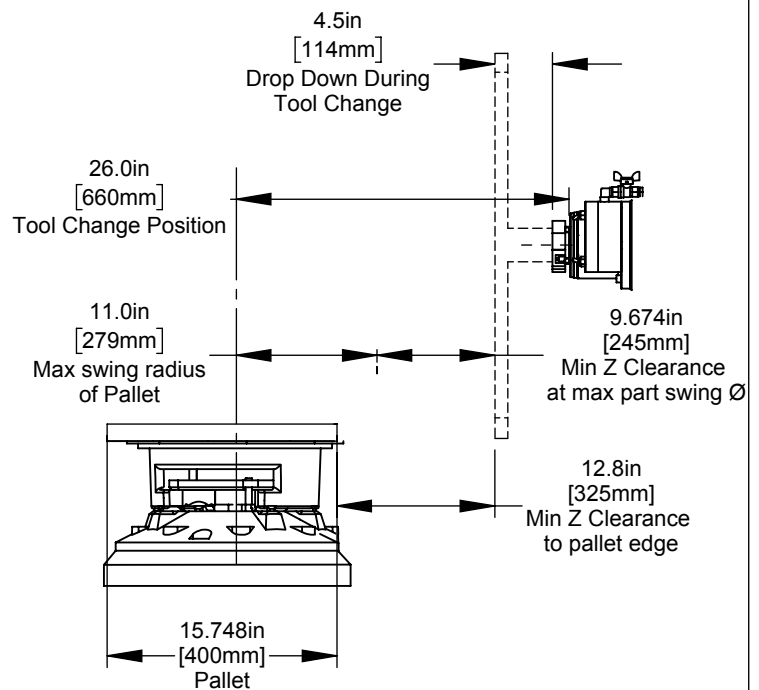
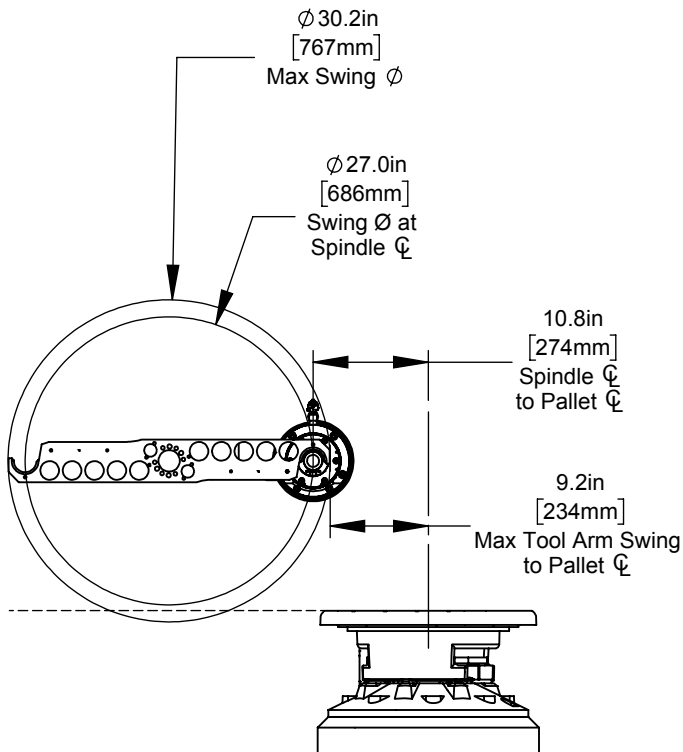
SAE / Inch Pallet



ISO / Metric Pallet



Tool Changer



\*Due to continual product improvements, machine dimensions are subject to change without notice.